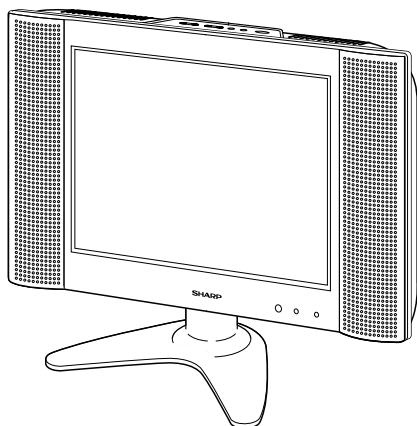


**SHARP****SERVICE MANUAL**

S42H2LC15B2EA

**LCD COLOUR TELEVISION****MODEL LC-15B2EA**

In the interests of user-safety (Required by safety regulations in some countries) the set should be restored to its original condition and only parts identical to those specified should be used.

**CONTENTS**

	Page		Page
● IMPORTANT SERVICE SAFETY PRECAUTION .....	2	■ MAIN UNIT .....	26
● SPECIFICATIONS .....	3	■ TUNER UNIT .....	38
● OPERATION MANUAL .....	4	■ INVERTER UNIT .....	46
● DIMENSIONS .....	5	● PRINTED WIRING BOARD ASSEMBLIES .....	47
● REMOVING OF MAJOR PARTS .....	6	● PARTS LIST	
● ADJUSTING PROCEDURE OF EACH SECTION .....	9	■ ELECTRICAL PARTS .....	51
● TROUBLE SHOOTING TABLE .....	12	■ MAIN UNIT .....	51
● CHASSIS LAYOUT .....	18	■ TUNER UNIT .....	55
● BLOCK DIAGRAM .....	20	■ INVERTER UNIT .....	59
● OVERALL WIRING DIAGRAM .....	22	■ RC/LED UNIT .....	60
● DESCRIPTION OF SCHEMATIC DIAGRAM ..	24	■ OPERATION UNIT .....	60
● SCHEMATIC DIAGRAM		■ CABINET AND MECHANICAL PARTS .....	60
■ RC/LED and OPERATION UNIT .....	25	■ ACCESSORIES PARTS .....	62
		■ PACKING PARTS .....	62
		● PACKING OF THE SET .....	63

## IMPORTANT SERVICE SAFETY PRECAUTION

- Service work should be performed only by qualified service technicians who are thoroughly familiar with all safety checks and the servicing guidelines which follow:

### WARNING

1. For continued safety, no modification of any circuit should be attempted.
2. Disconnect AC power before servicing.

**CAUTION:** FOR CONTINUED PROTECTION AGAINST A RISK OF FIRE REPLACE ONLY WITH SAME TYPE F1(T1.25AL, 250V), F2(T1.25AL, 250V), F6500 (T1.25AL, 250V) AND F6501 (T1.25AL, 250V) FUSE.

### BEFORE RETURNING THE RECEIVER (Fire & Shock Hazard)

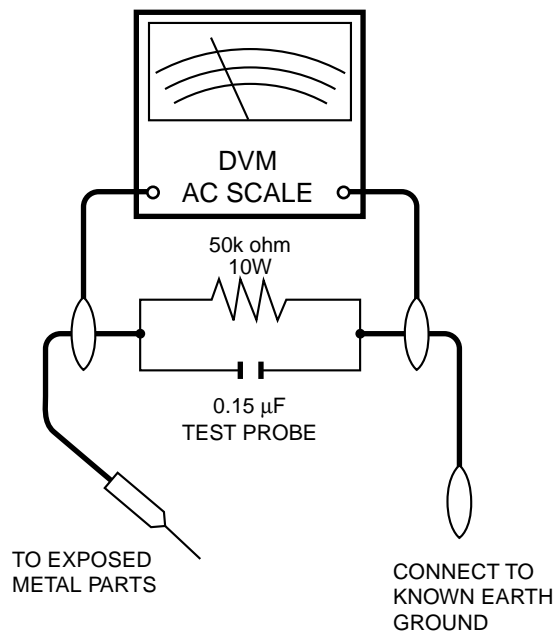
Before returning the receiver to the user, perform the following safety checks:

1. Inspect all lead dress to make certain that leads are not pinched, and check that hardware is not lodged between the chassis and other metal parts in the receiver.
2. Inspect all protective devices such as non-metallic control knobs, insulation materials, cabinet backs, adjustment and compartment covers or shields, isolation resistor-capacitor networks, mechanical insulators, etc.
3. To be sure that no shock hazard exists, check for leakage current in the following manner.
  - Plug the AC cord directly into a 110~240 volt AC outlet, and connect the DC power cable into the receiver's DC jack. (Do not use an isolation transformer for this test).
  - Using two clip leads, connect a 50k ohm, 10 watt resistor paralleled by a 0.15 $\mu$ F capacitor in series with all exposed metal cabinet parts and a known earth ground, such as electrical conduit or electrical ground connected to an earth ground.

- Use an AC voltmeter having with 5000 ohm per volt, or higher, sensitivity or measure the AC voltage drop across the resistor.
- Connect the resistor connection to all exposed metal parts having a return to the chassis (antenna, metal cabinet, screw heads, knobs and control shafts, escutcheon, etc.) and measure the AC voltage drop across the resistor.

All checks must be repeated with the AC cord plug connection reversed. (If necessary, a nonpolarized adaptor plug must be used only for the purpose of completing these checks.)

Any reading of 0.75V peak (this corresponds to 0.5 milliamp. peak AC.) or more is excessive and indicates a potential shock hazard which must be corrected before returning the monitor to the owner.



### SAFETY NOTICE

Many electrical and mechanical parts in LCD television have special safety-related characteristics.

These characteristics are often not evident from visual inspection, nor can protection afforded by them be necessarily increased by using replacement components rated for higher voltage, wattage, etc.

Replacement parts which have these special safety characteristics are identified in this manual; electrical components having such features are identified by "⚠"

and shaded areas in the **Replacement Parts Lists** and **Schematic Diagrams**.

For continued protection, replacement parts must be identical to those used in the original circuit.

The use of a substitute replacement parts which do not have the same safety characteristics as the factory recommended replacement parts shown in this service manual, may create shock, fire or other hazards.

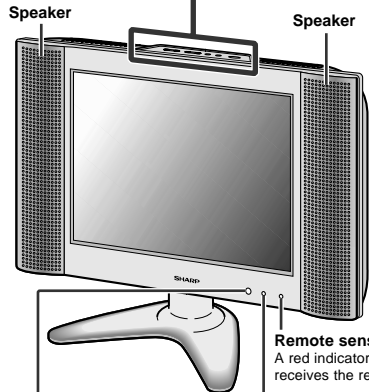
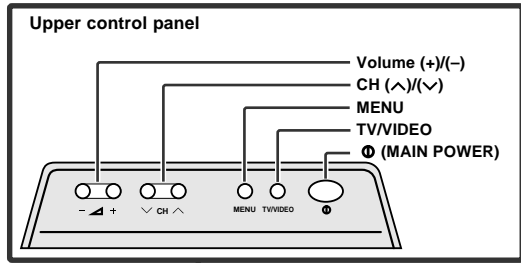
# Specifications

Items	15" LCD COLOUR TV, Model: LC-15B2EA	
LCD panel	15" Advanced Super View & BLACK TFT LCD	
Number of dots	921,600 dots	
Video colour system	PAL/SECAM/NTSC	
TV Function	TV-Standard (CCIR)	B/G, I, D/K, L
	TV-Tuning System	Auto preset 200 ch.
	STEREO/BILINGUAL	NICAM, IGR
	AUTO PRESET	Yes
	CATV	~Hyper Band
Brightness	430 cd/m <sup>2</sup>	
Lamp life	60,000 hours	
Viewing angles	H: 170° V: 170°	
Audio amplifier	2.1 W × 2	
Speakers	4 × 7 cm Oval, 2 pcs.	
Terminals	AV-IN 1	RGB
	AV-IN 2	S-VIDEO, VIDEO, AUDIO
	OUT	AUDIO
	Antenna	DIN
	Headphones	3.5 mm ø jack (Rear)
OSD language	English/German/French/Spanish/Italian/Swedish/Dutch	
Power requirement	DC 12 V, AC 110 V – 240 V, 50/60 Hz	
Weight	5.2 kg, incl. stand, excl. accessories	
Accessories	Operation Manual, Remote Control, Batteries, AC adapter, AC cord, Cable clamp	

***Specifications are subject to change without prior notice.***

# Operation Manual

## Main unit (front view)



To change the vertical angle of the LCD TV set, tilt the screen up to 5 degrees forward or 10 degrees backward. The TV set can also be rotated 50 degrees horizontally. Please adjust the angle so that the TV set can be watched most comfortably.

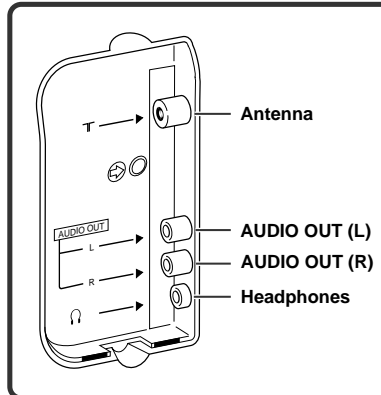
**Remote sensor indicator**  
A red indicator blinks when the TV set receives the remote control signal.

**POWER/STANDBY indicator**  
A green indicator lights when the power is on and a red indicator lights when in the standby mode (the indicator will not light when the main power is off).

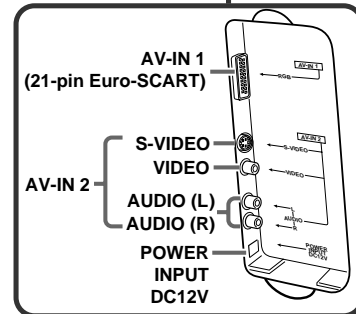
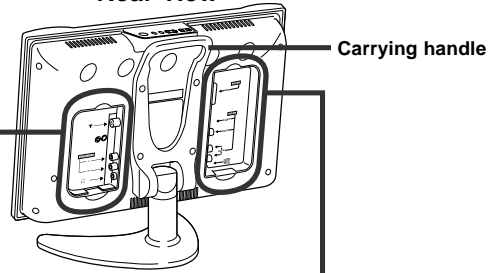
**Note:**

■ TV/VIDEO, CH (^)/(v), and Volume (+)/(-) on the main unit have the same functions as the same buttons on the remote control. Fundamentally, this operation manual provides a description based on operation using the remote control.

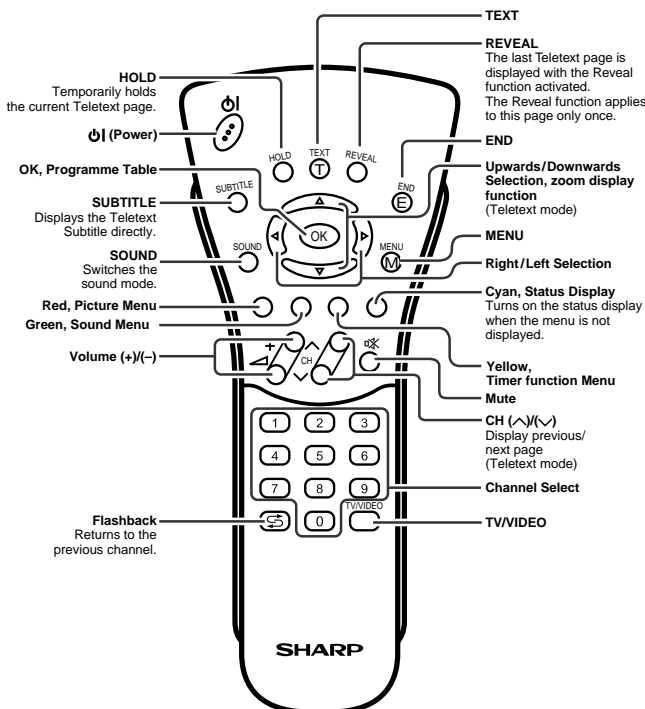
## Terminals



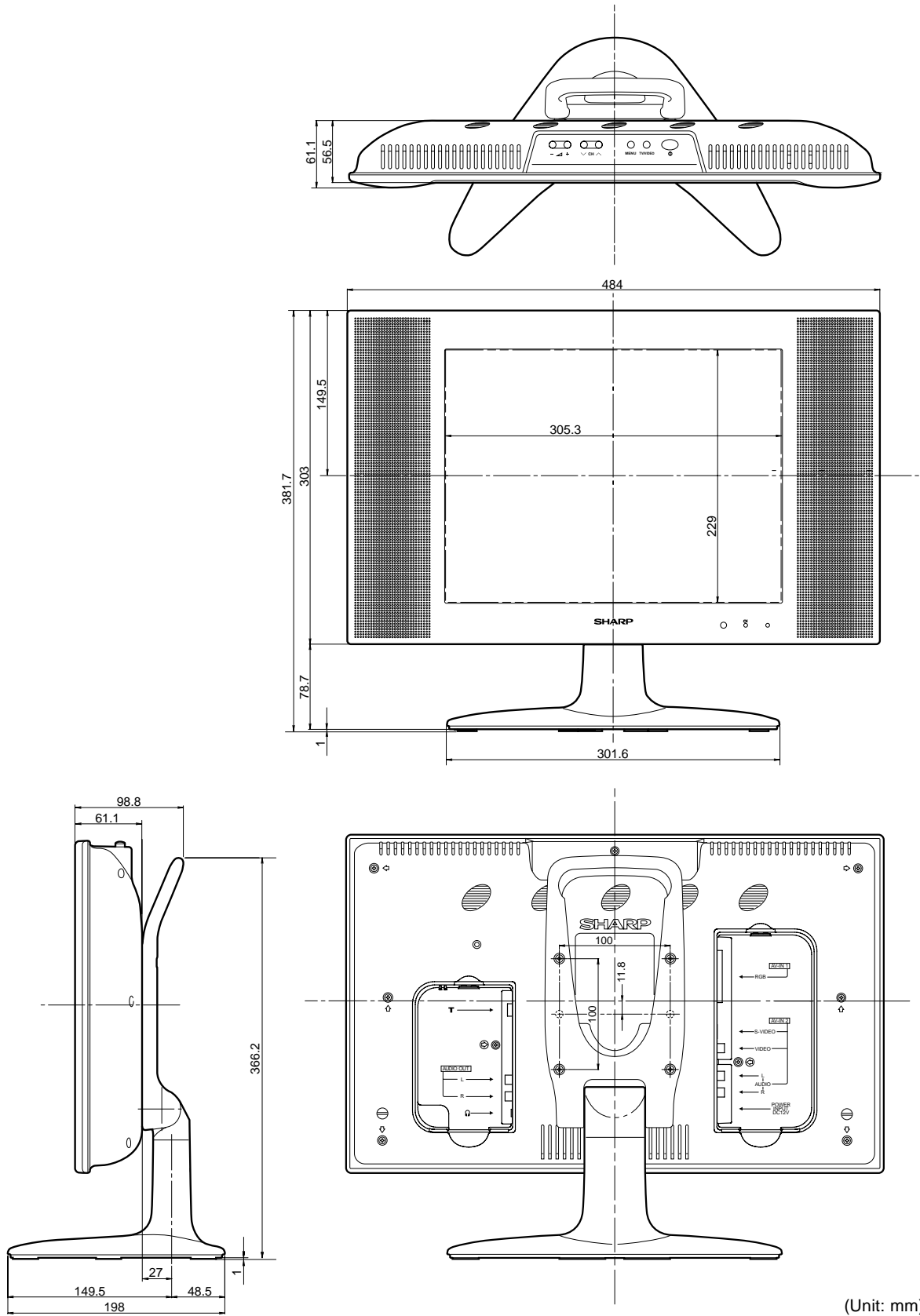
## Rear view



## Remote control



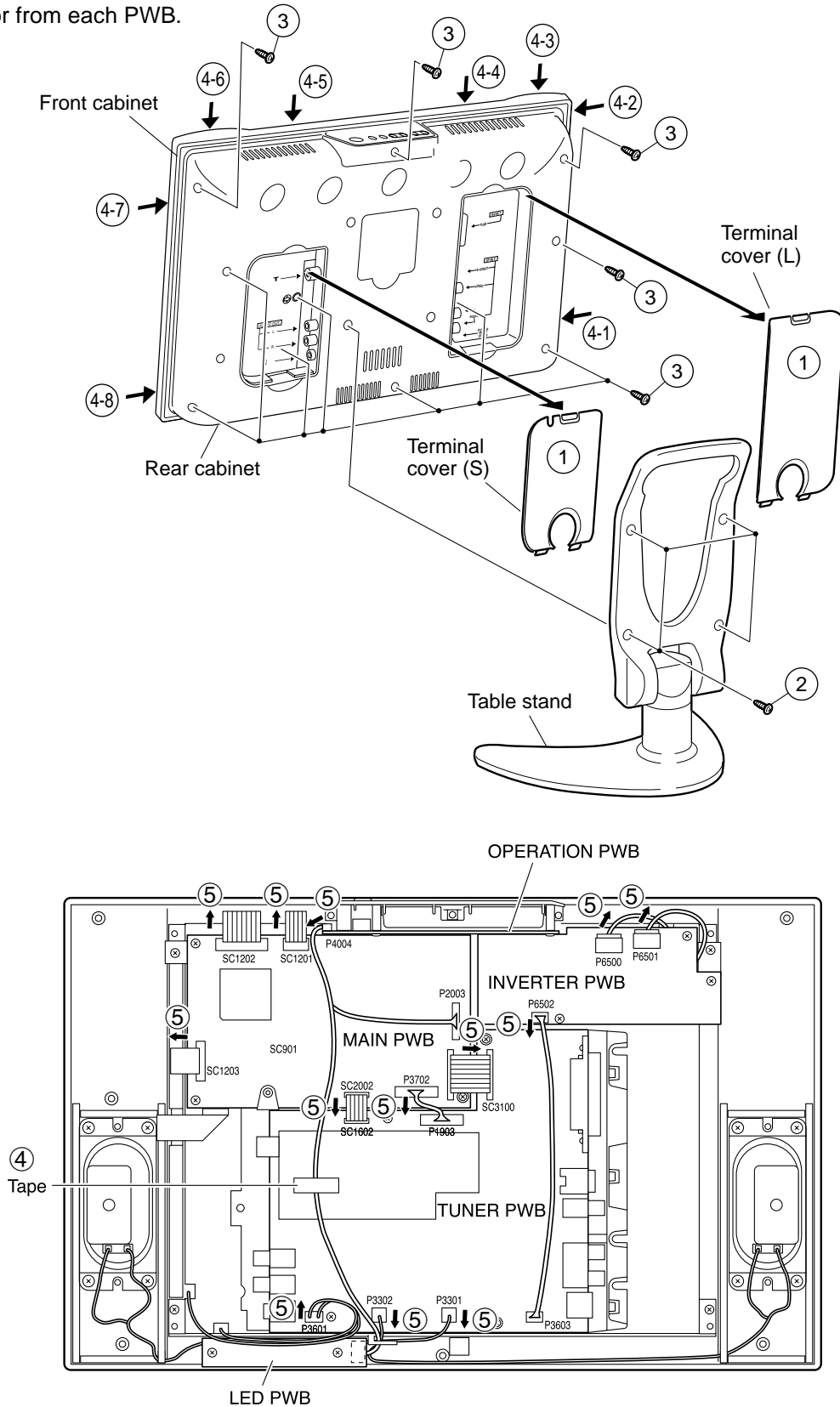
# Dimensions



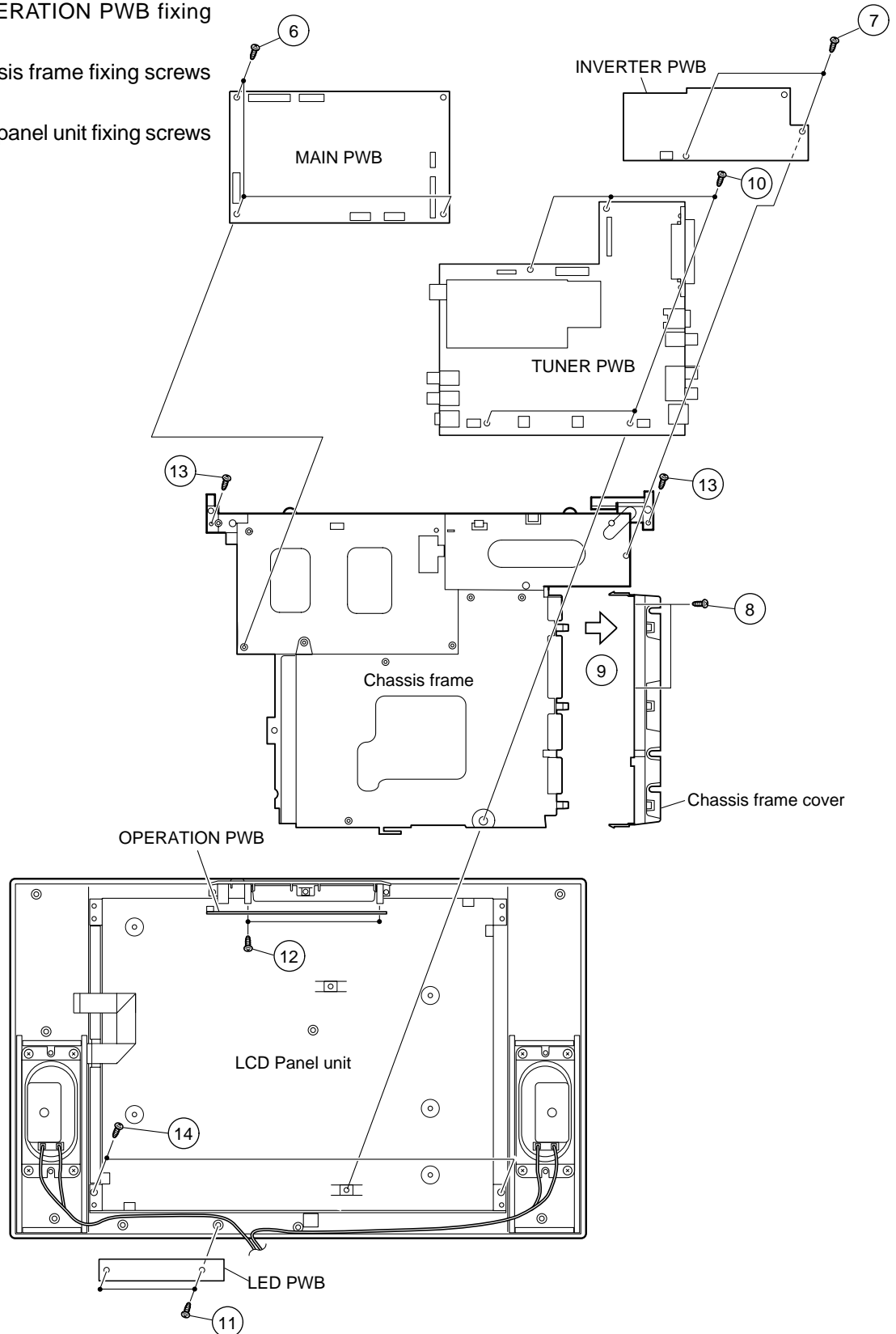
(Unit: mm)

# REMOVING OF MAJOR PARTS

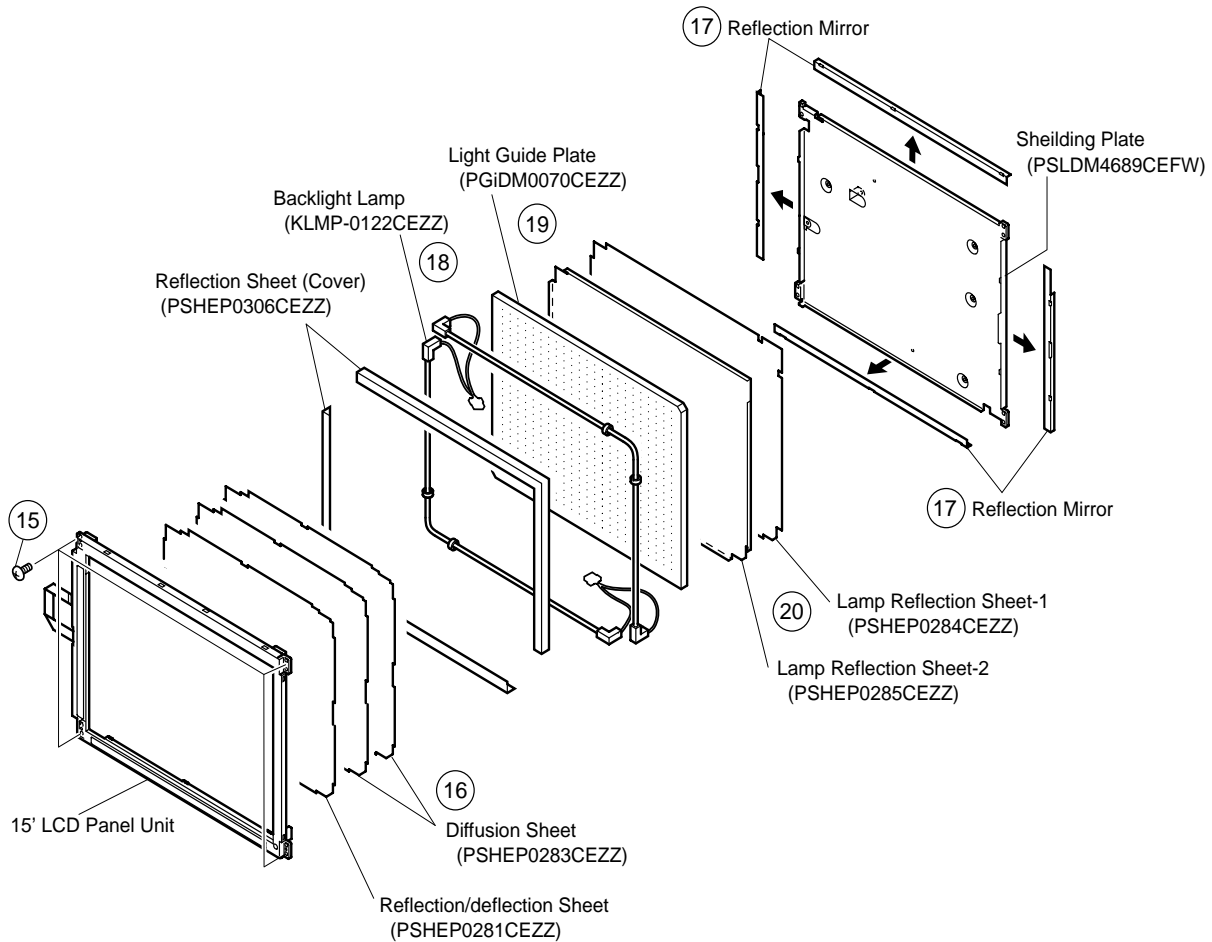
1. Remove the back cover.
2. Remove the table stand fixing screws (4 pcs.).
3. Remove the Rear cabinet fixing screws (9 pcs.) and detach the cabinet.
4. Peel off the tape.
5. Detach the connector from each PWB.



6. Remove the MAIN PWB fixing screws (3 pcs.).
7. Remove the INVERTER PWB fixing screws (2 pcs.).
8. Remove the 21-pin terminal fixing screw (2 pcs.).
9. Detach the chassis frame cover.
10. Remove the TUNER PWB fixing screws (4 pcs.).
11. Remove the LED PWB fixing screws (2 pcs.).
12. Remove the OPERATION PWB fixing screws (2 pcs.).
13. Remove the chassis frame fixing screws (2 pcs.).
14. Remove the LCD panel unit fixing screws (2 pcs.).



- Precautions in handling the LCD panels
  1. Work in a clean room (with humidities below 50%).
  2. Be sure to wear an anti-static armband.
  3. Handle the panels on an electroconductive mat.
  4. Be careful not to fall, shake and shock the panels.
  
- 15. Remove the LCD display unit fixing screws (4 pcs.).
- 16. Detach the two diffusion sheets and reflection/deflection sheet.
- 17. Detach the four reflection mirrors.
- 18. Remove the fluorescent lamp.
- 19. Detach the lamp guide plate.
- 20. Detach the two lamp reflection sheets.





# ADJUSTING PROCEDURE OF EACH SECTION

The best adjustment is made before shipping. If any position deviation is found or after part replace is performed, adjust as follows.

## Preparation for adjustments

Use the dedicated AC adaptor or stable DC power supply.

LC15B2EA AC adaptor: UADP-0240CEZZ

DC power supply: 12V 4.0A

## 1. Adjusting procedure

- Checker adjustment  
Power ON (Adjustment processing mode) → +B adjustment → Counter bias adjustment → TAMP (Contrast) adjustment  
→ White balance adjustment

## 2. Entering the adjustment processing mode

There are the following two methods.

- Setting the pin (81)(KEY4) or pin (82)(KEY5) of IC2001 (microprocessor) to GND, turn on the power.
- A "POWER" key is made on with pushing an "TV/VIDEO" and "MENU" keys at the same time.(K of the inspection process mode is displayed by the upper left of the image plane.) → Next, "CH (∨)" and "VOL (-)" keys are pushed at the same time.(It becomes the image plane of the adjustment process mode.)....When it is canceled, it is made to turn it off.(Even off in the "MAIN POWER" key, off with R/C are good.)

## 3. Key operation in the adjustment process mode

- The receiving channel UP/DOWN is performed with the "CH (∧)/(∨)" keys.  
One push ... The UP/DOWN tuning is performed per channel.  
Continuous push ... The UP/DOWN search is performed until a next receivable station is found.
- Various adjustments  
The adjustment is performed for each item by the "MENU", "Menu cursor", "CH (∧)/(∨)" or "VOL (+)/(-)" keys (LCD TV set and remote control).
- Adjustment item is chosen with the Menu cursor upward/downward keys.
- The adjustment item makes a toggle operation with the "MENU" key input. (Next item)  
If the "MENU" key is input while the bottom item is selected, it moves to the top item on the next page.
- Press the auto preset button on the remote controller in the adjustment process mode, and the top item of the next page will show up regardless of which item appears now.  
Page 1 → Page 2 → ... → Page 23 → Page 1
- Press the manual memory button on the remote controller in the adjustment process mode, and the top item of the same page will show up.
- UP/DOWN of each adjustment vale selected is performed with the VOL (+)/(-) keys input.
- For P16 – 17, the unit enters the register select mode with the VOL (+)/(-) keys input while NTSC/PAL is selected, and the cursor moves to the address 01.
- The cursor moves up or down with the "CH (∧)/(∨)" keys and moves left or right with the VOL (+)/(-) keys, and a decision is made with the 12 key.  
When the decision is made, the cursor moves to the adjustment value selected, and UP/DOWN of each adjustment value selected by the "VOL (+)/(-)" keys input is performed.  
0 ↔ 1 ↔ ... ↔ 9 ↔ A ↔ ... ↔ F ↔ 0 ↔ ...  
Decide with the 12 key and return to the address select. Move to the next item with the "MENU" key.  
During address select, the cursor movement by the "VOL (+)/(-)" keys input is as follows:  
Example: 01 ↔ 02 ↔ 03 ↔ 01 ↔ ...  
The cursor movement by the "CH (∧)/(∨)" keys input is as follows:  
Example: 02 ↔ 05 ↔ ... ↔ F6 ↔ 02 ↔ ...

### 4. Initialization

When the microprocessor (IC2001) or the EEPROM (IC2004) has been replaced or when the EEPROM has been initialized, readjust the each adjustments.

- 4-1. Connect the pins (81) and (82) of IC2001 (microprocessor) to GND, and turn on the power.
- 4-2. Select the model name to (B2EA).
- 4-3. Select the inch size (15).
- 4-4. LED changes green from red after setting finish and about 15 seconds, initialization is completed, and it becomes adjustment mode.

### 5. Adjustment

#### 5-1. +B adjustment...Page 1 +B-ADJ

Adjust the voltage of the pin (13) of P2002 to 5.00 ±0.02V.

Note: Since 5.0V is a reference voltage of all power voltage, adjust it precisely.

#### 5-2. Counter-bias adjustment

Vary the "COM BIAS" setting on Page 2 of the adjustment process mode so that the contrast be sharpest (black looks most sinking).

#### 5-3. TAMP adjustment

- 1) Receive the upper left of 75% white half colour bar signal.
- 2) See if the "Y" reading on page 2 of the adjustment process mode is somewhere following. If not, make the "PAL TAMP" adjustment to get the "Y" reading in the range of BF thru C9.
- 3) If the adjustment of "PAL TAMP" is executed, write its adjustment value to the "SECAM TAMP" manually.

(Screen of the page 2 of the adjustment processing menu OSD)

	0	1	2	3	4	5	6	7	8	9	10	11	12	13	14	15	16	17	18	19	20	21	22	23	24	25	26		
0		2																											
1		▶	C	O	M		B	I	A	S															1	2	0		
2			P	A	L		T	A	M	P																2	7		
3			S	E	C	A	M		T	A	M	P															2	7	
4			R	C	U	T	O	F	F																		-	5	
5			G	C	U	T	O	F	F																			0	
6			B	C	U	T	O	F	F																			-	1
7			G	3			B	3			R	3				0	0			0	0					0	0		
8			G	1			B	4			Y					0	0			0	0					B	E		
9			T	A	M	P		H																			C	9	
10			T	A	M	P		L																			B	F	
11																													
12																													
13																													

Y Data  
(White 75%)

#### 5-4. White balance adjustment

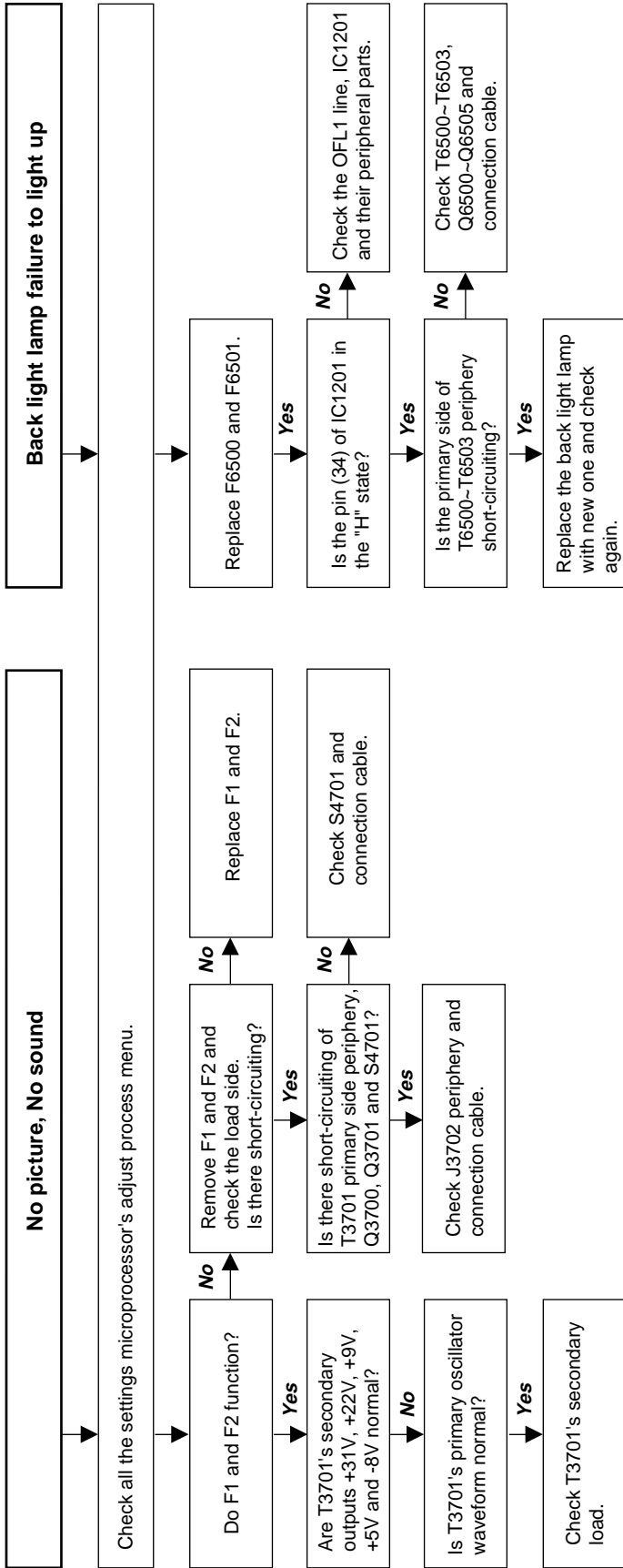
Adjust "RCUTOFF" and "BCUTOFF" on the page 2 of the adjustment processing so as to obtain the colour of the same level as the standard set.

Note: For the adjustment processing of "RCUTOFF" and "BCUTOFF", adjust them in the indication value range of ... -9, -7, ... -1, +1, ... +7, +9.

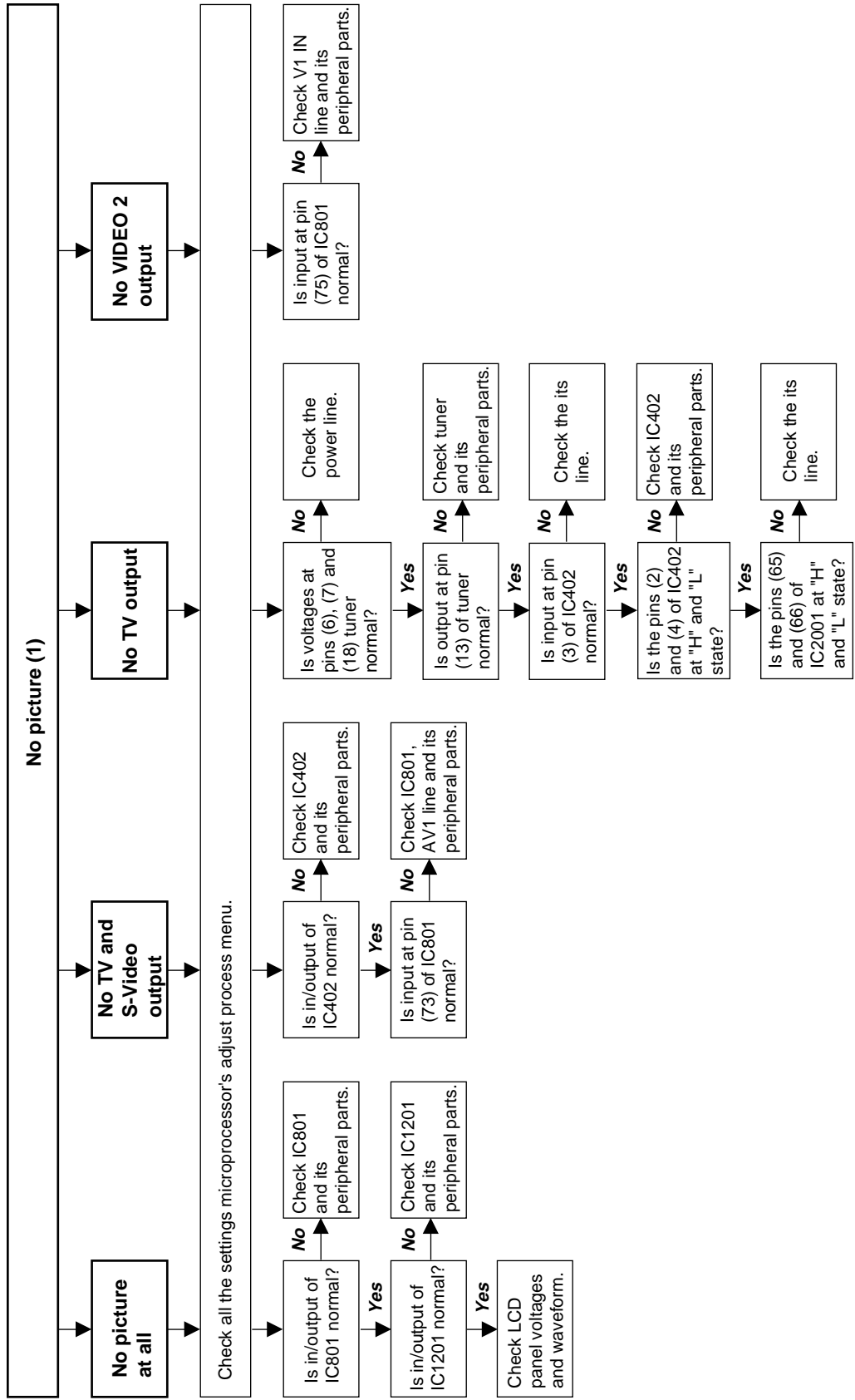
When it becomes even-numbered value, side favor noise sometimes occurs in the monochrome signal of the specific gradation.



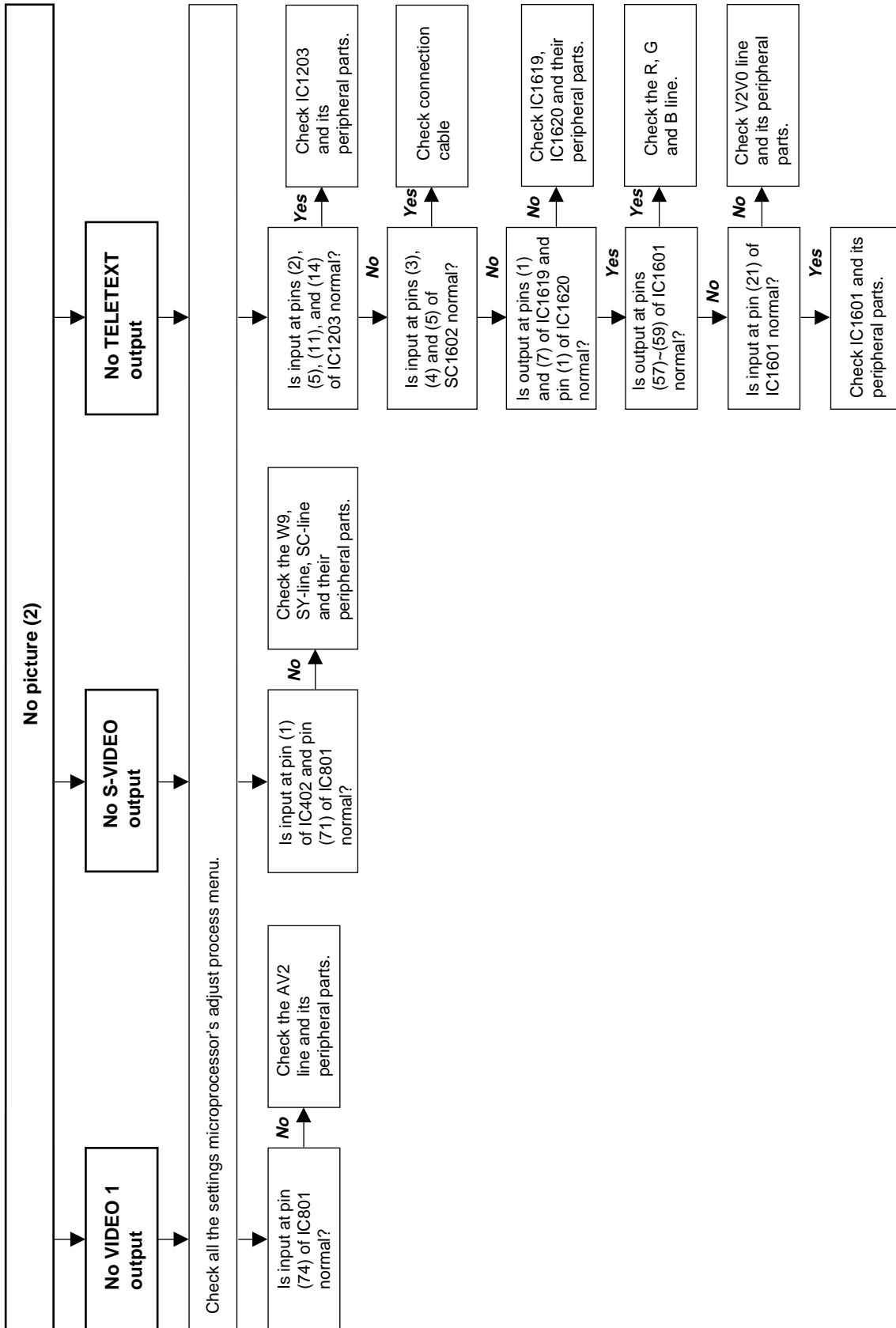
# TROUBLE SHOOTING TABLE



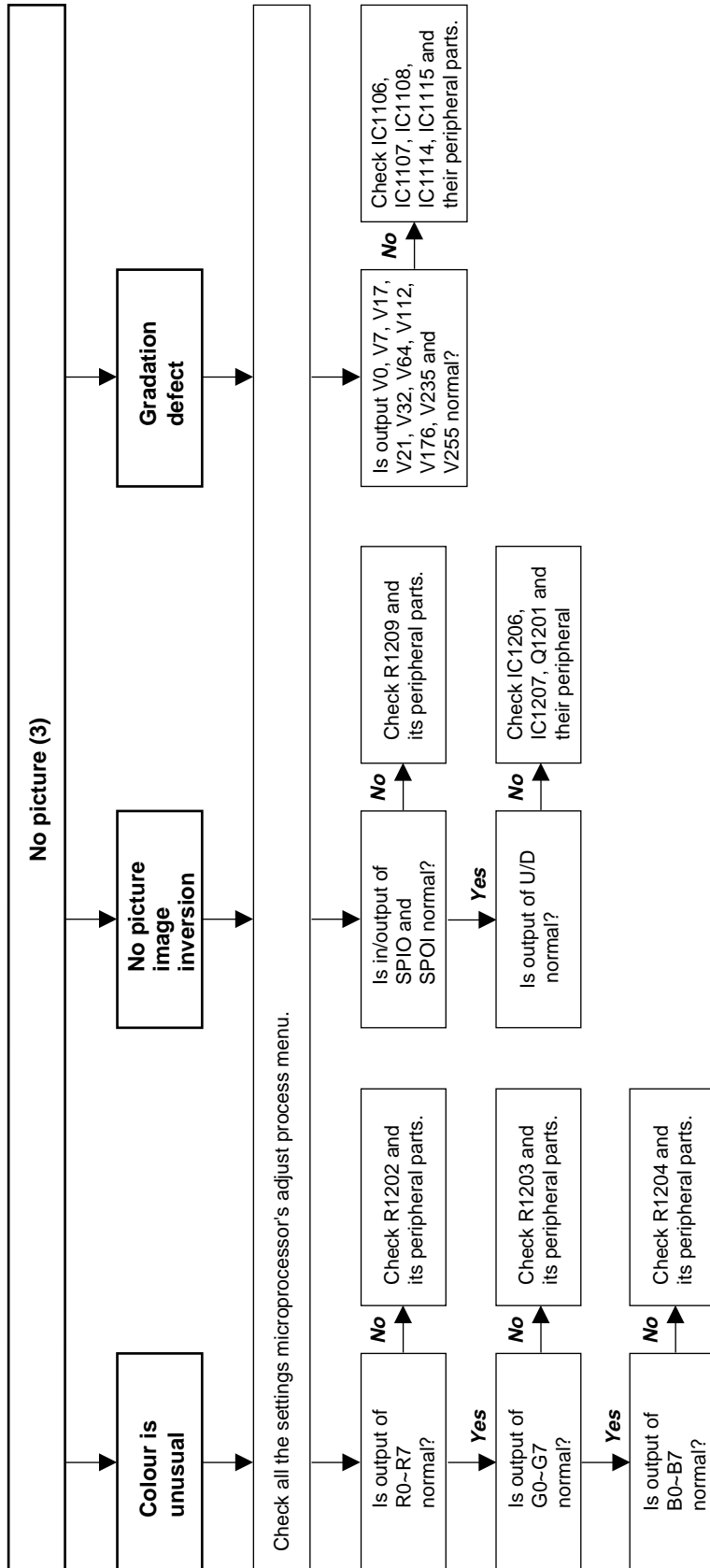
# TROUBLE SHOOTING TABLE (Continued)



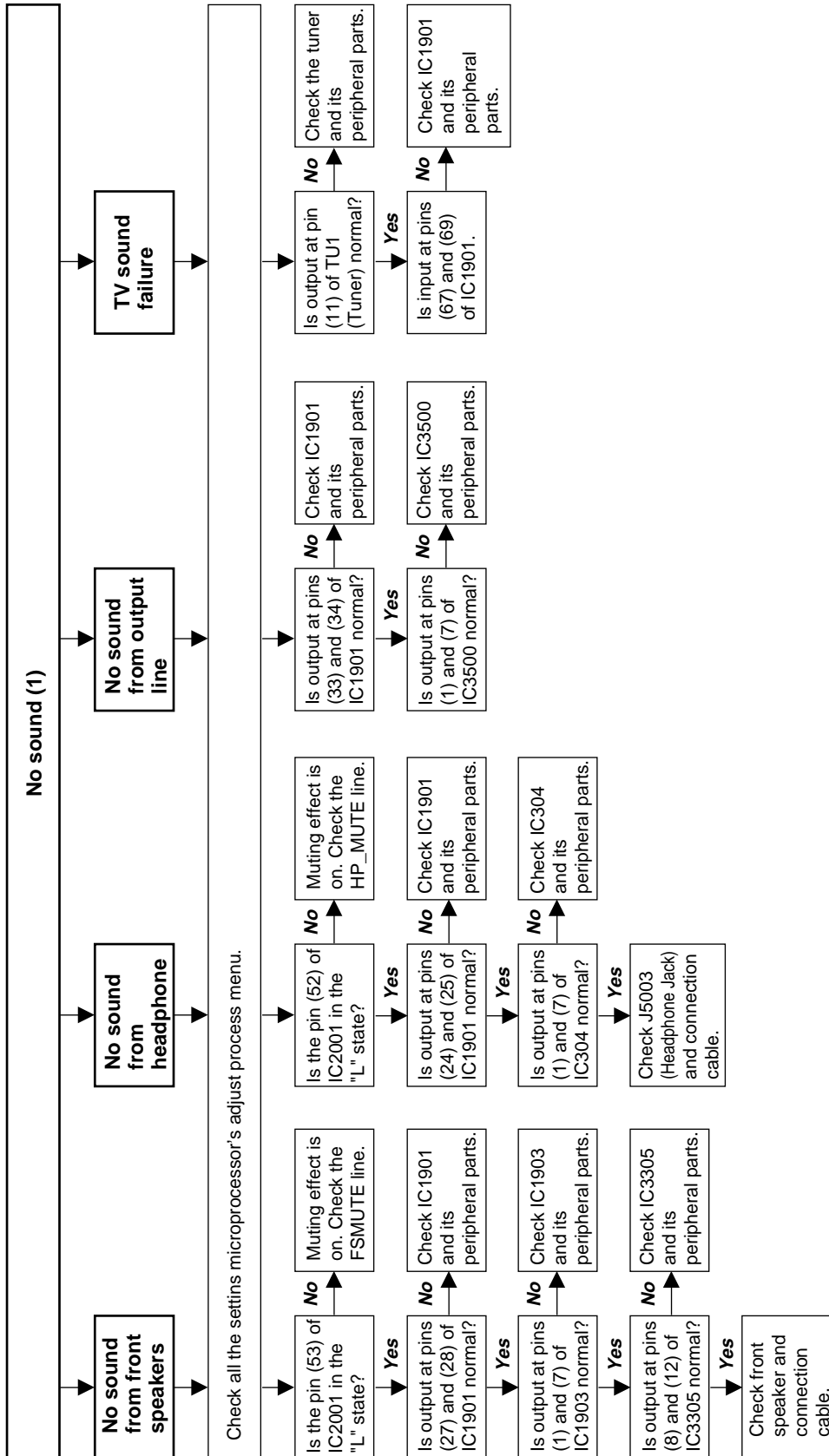
# TROUBLE SHOOTING TABLE (Continued)



# TROUBLE SHOOTING TABLE (Continued)

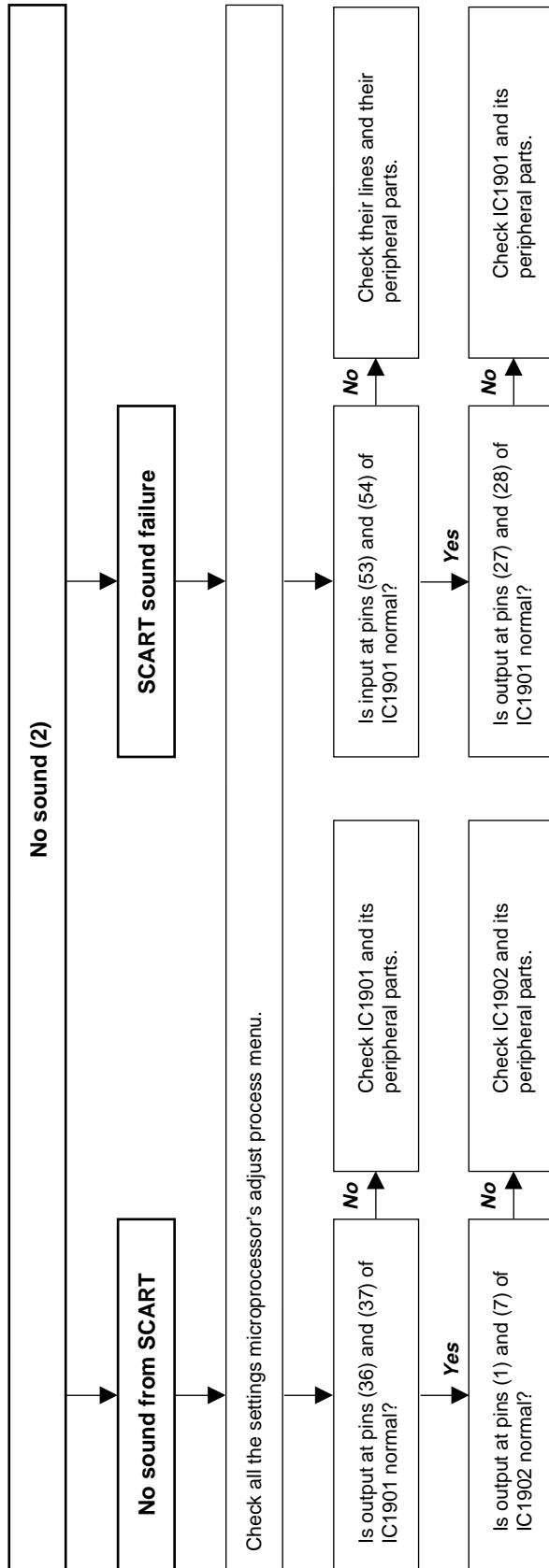


# TROUBLE SHOOTING TABLE (Continued)



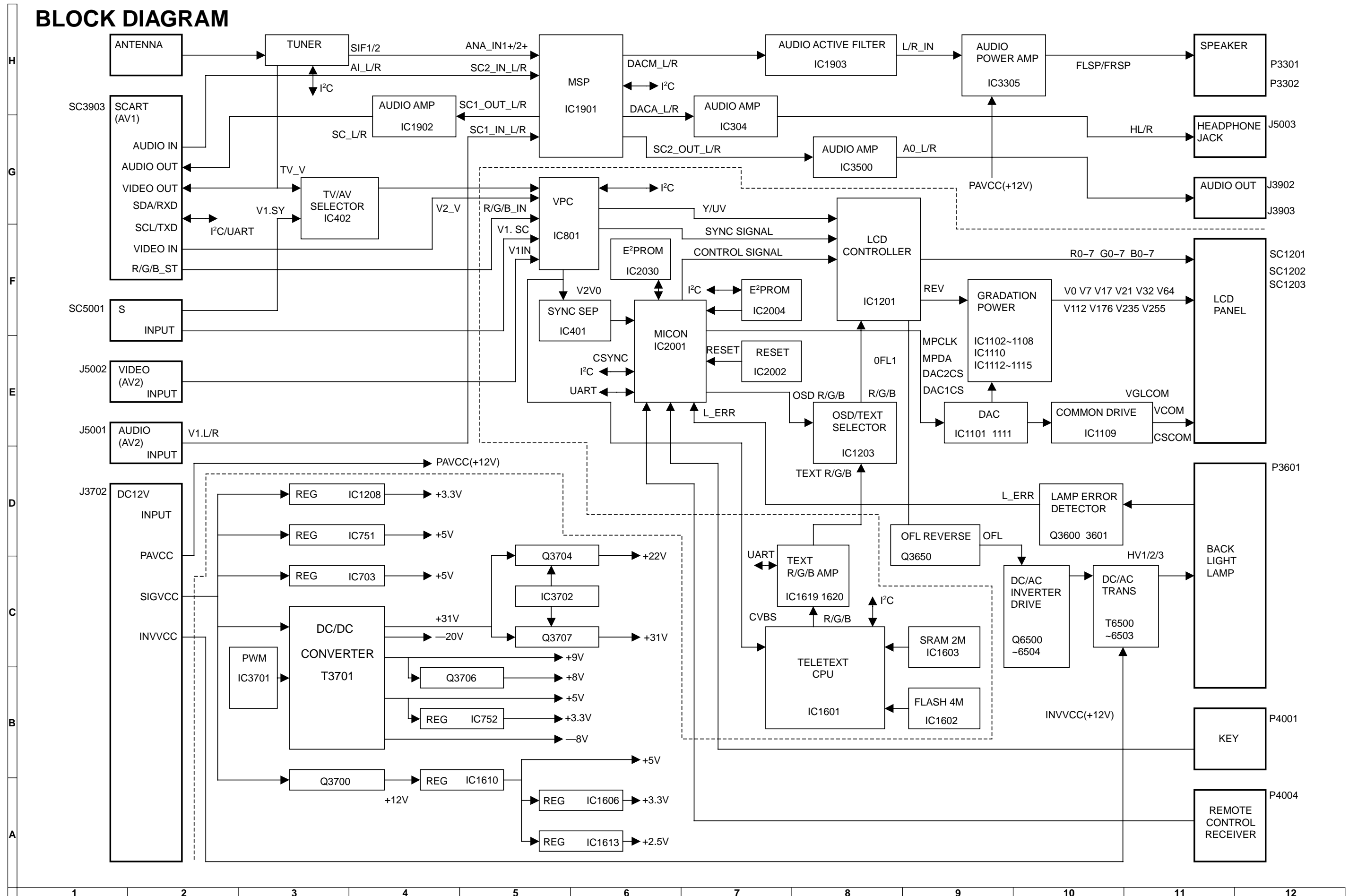


# TROUBLE SHOOTING TABLE (Continued)

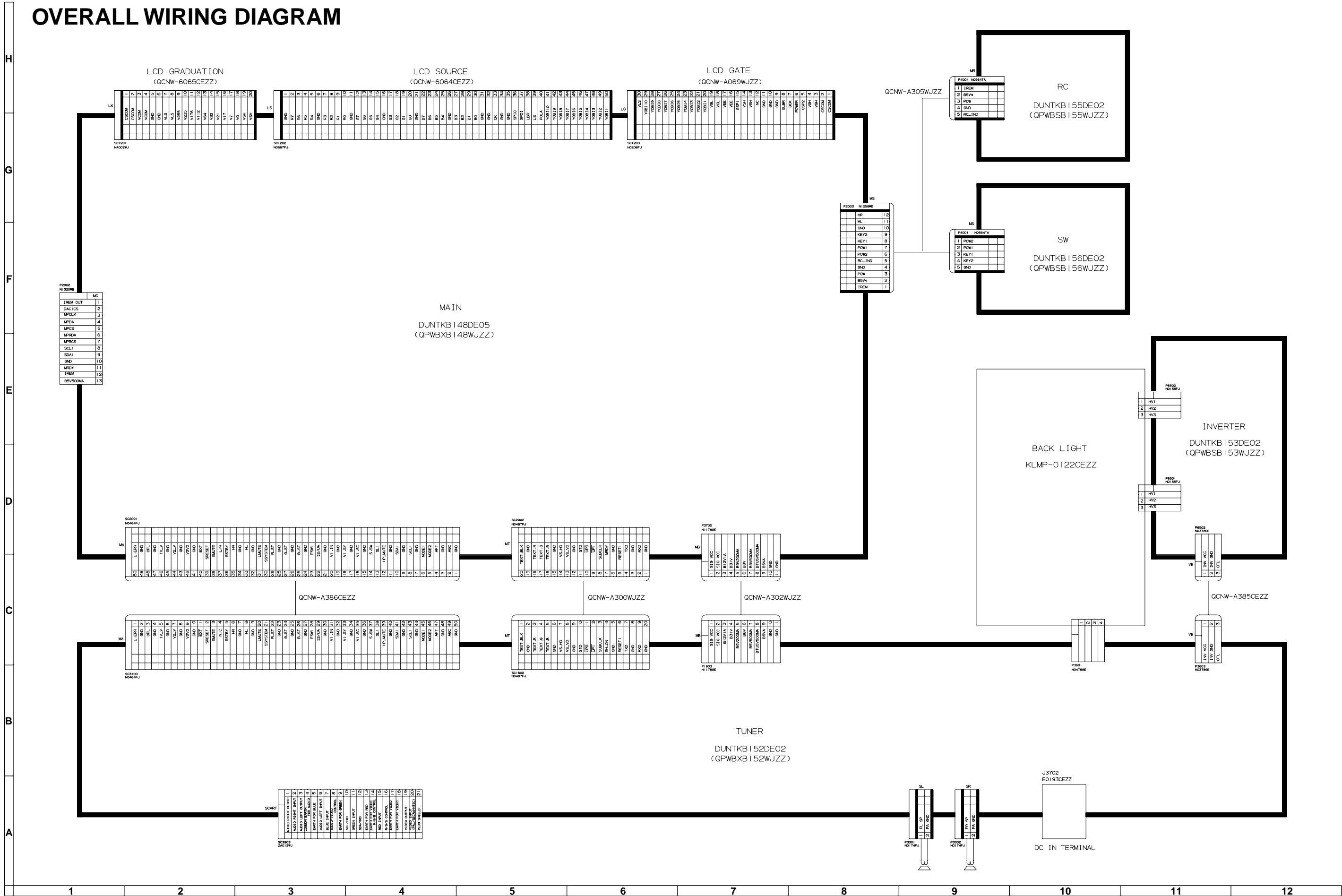




# BLOCK DIAGRAM



# OVERALL WIRING DIAGRAM



## DESCRIPTION OF SCHEMATIC DIAGRAM

### VOLTAGE MEASUREMENT CONDITION:

1. Voltages at test points are measured at the supply voltage of AC 120V. Signals are fed by a color bar signal generator for servicing purpose and the above voltages are measured with a 20k ohm/ V tester.

### WAVEFORM MEASUREMENT CONDITION:

1. Waveforms at test points are observed at the supply voltage of AC 120V. Signals are fed by a color bar signal generator for servicing purpose.

### INDICATION OF RESISTOR & CAPACITOR:

#### RESISTOR

1. The unit of resistance "Ω" is omitted.  
(K=kΩ=1000 Ω, M=MΩ).
2. All resistors are ± 5%, unless otherwise noted.  
(J= ± 5%, F= ± 1%, D= ± 0.5%)
3. All resistors are 1/10W, unless otherwise noted.
4. All resistors are Carbon type, unless otherwise noted.

©: Solid                      Ⓜ: Cement  
 Ⓢ: Oxide Film              Ⓣ: Special  
 Ⓝ: Metal Coating

#### CAPACITOR

1. All capacitors are μF, unless otherwise noted.  
(P=pF=μμF).
2. All capacitors are 50V, unless otherwise noted.
3. All capacitors are Ceramic type, unless otherwise noted.

(ML): Mylar                  (TA): Tantalum  
 (PF): Polypro Film        (ST): Styrol


#### CAUTION:

This circuit diagram is original one, therefore there may be a slight difference from yours.

#### SAFETY NOTES:

1. **DISCONNECT THE AC PLUG FROM THE AC OUTLET BEFORE REPLACING PARTS.**
2. **SEMICONDUCTOR HEAT SINKS SHOULD BE REGARDED AS POTENTIAL SHOCK HAZARDS WHEN THE CHASSIS IS OPERATING.**

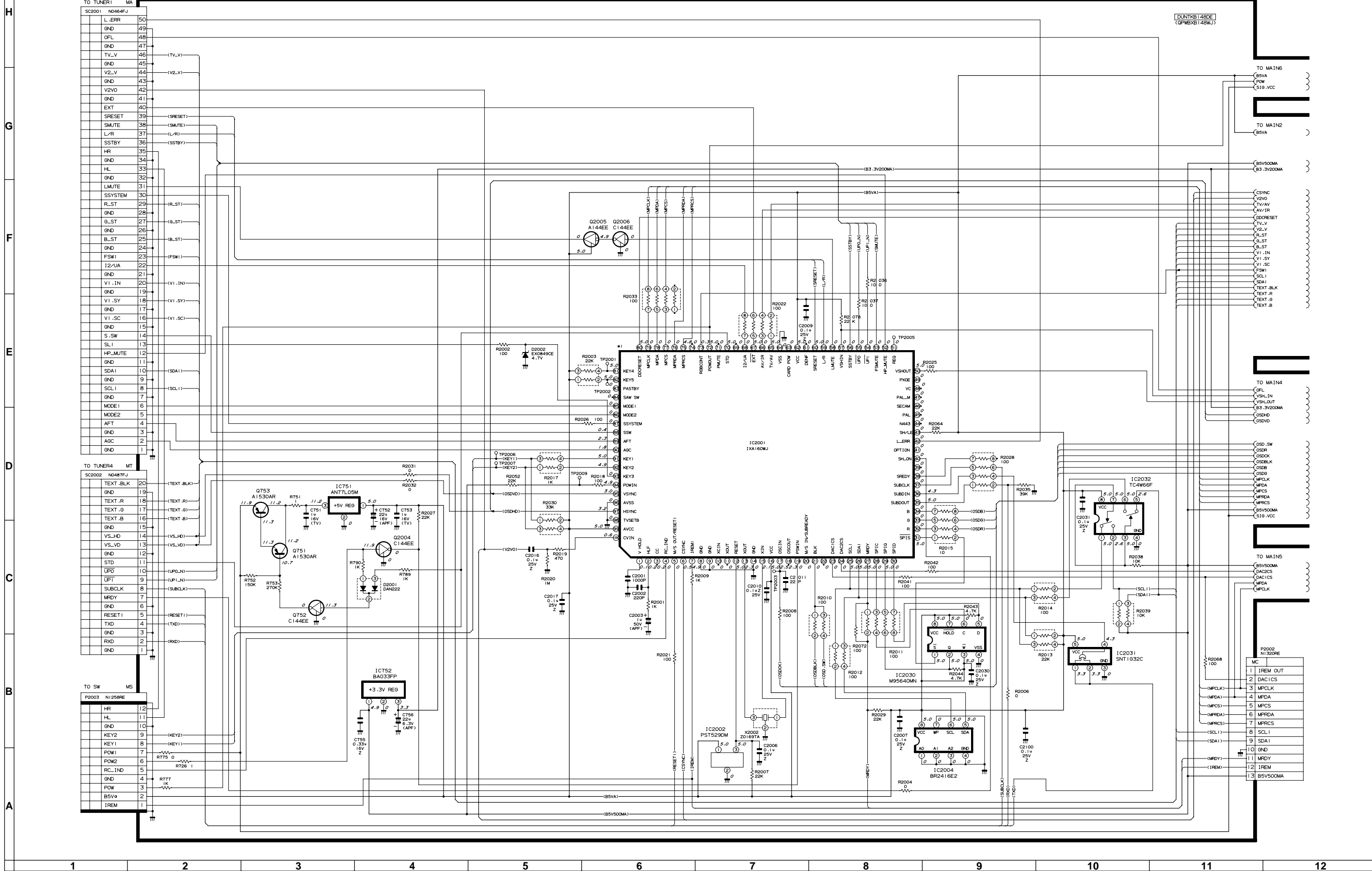
#### IMPORTANT SAFETY NOTICE:

**PARTS MARKED WITH "△" (  ) ARE IMPORTANT FOR MAINTAINING THE SAFETY OF THE SET. BE SURE TO REPLACE THESE PARTS WITH SPECIFIED ONES FOR MAINTAINING THE SAFETY AND PERFORMANCE OF THE SET.**



MAIN Unit-1/6

MAIN1

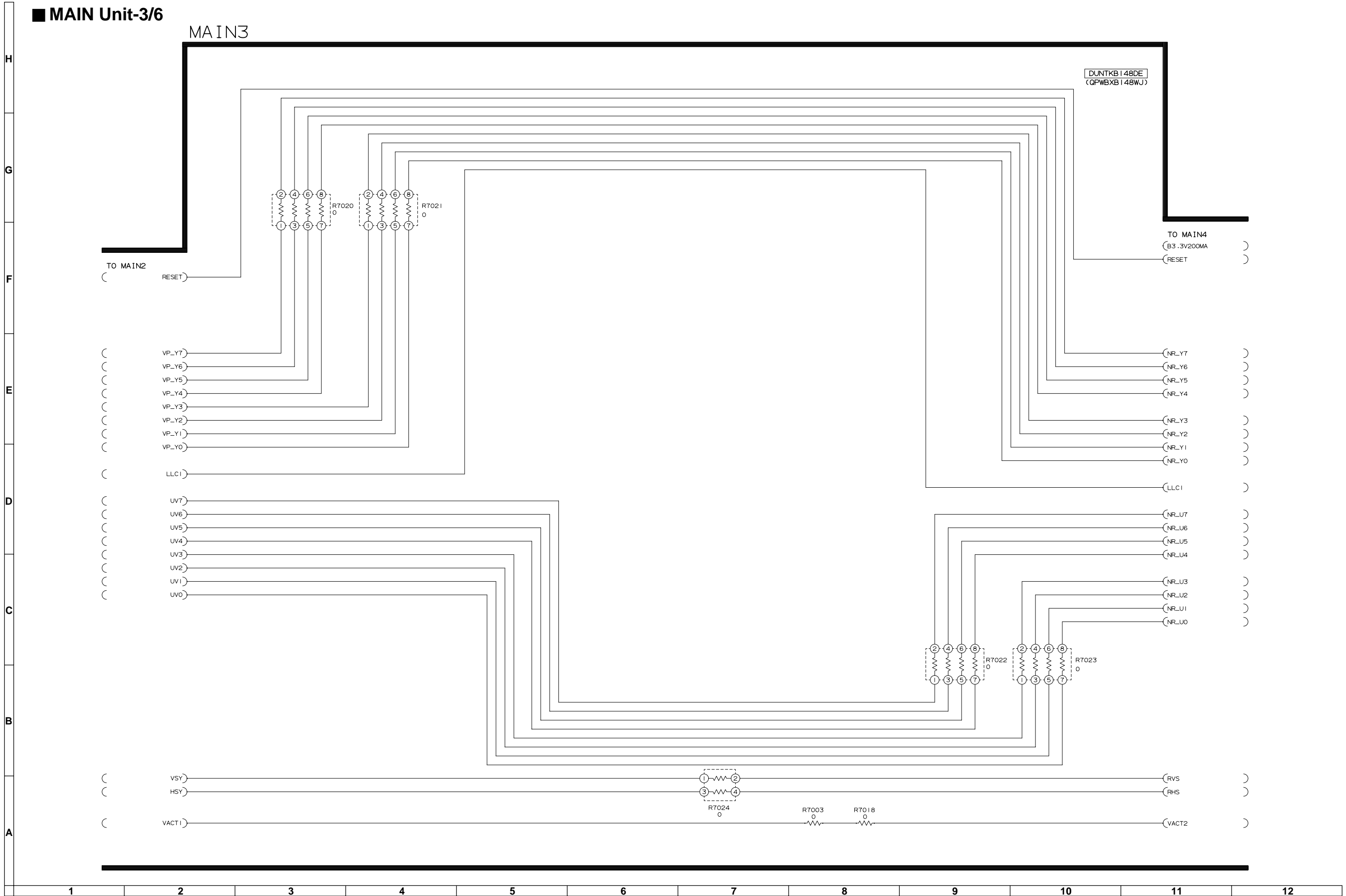






MAIN Unit-3/6

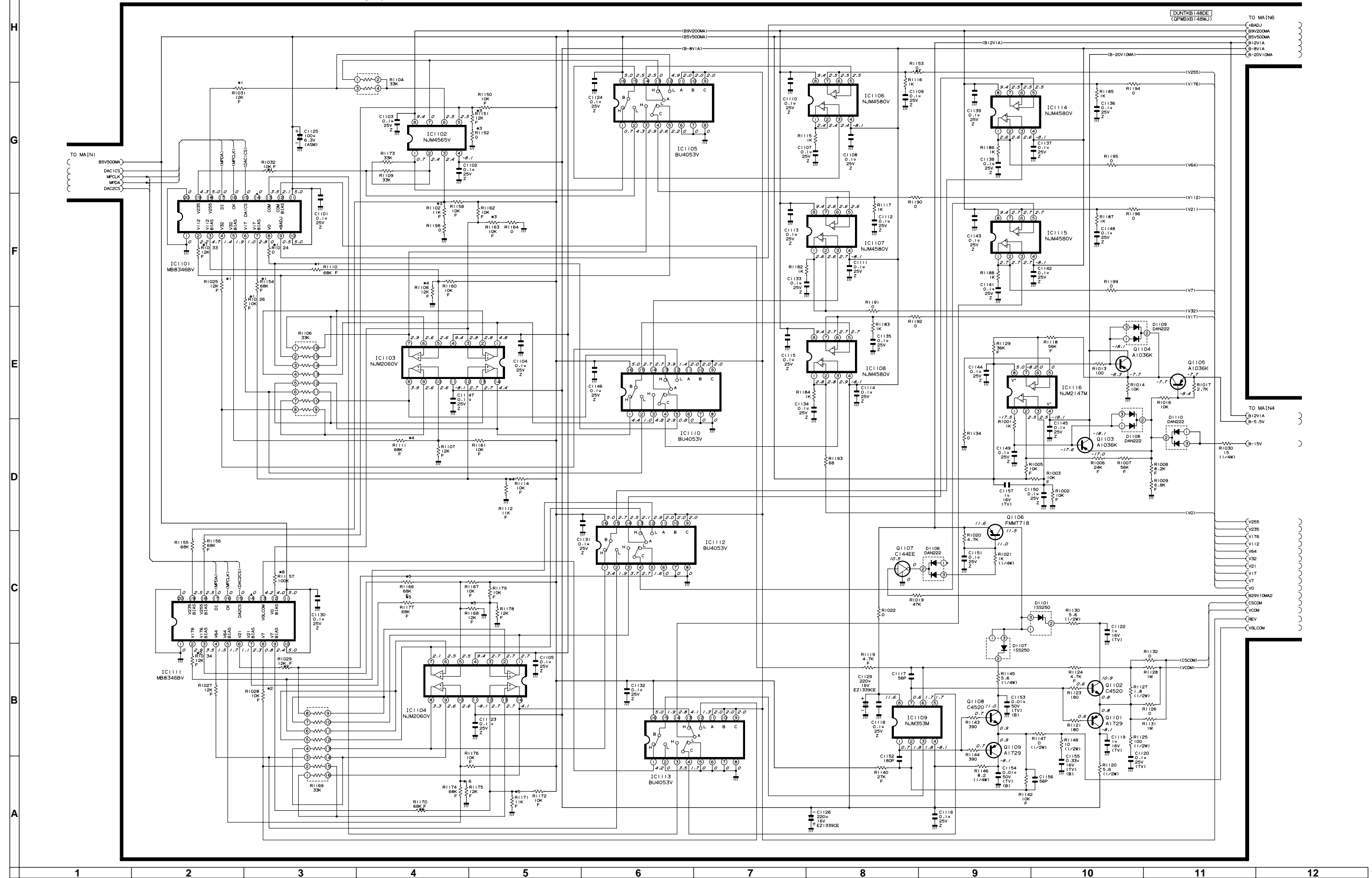
MAIN3





MAIN Unit-5/6

MAIN5



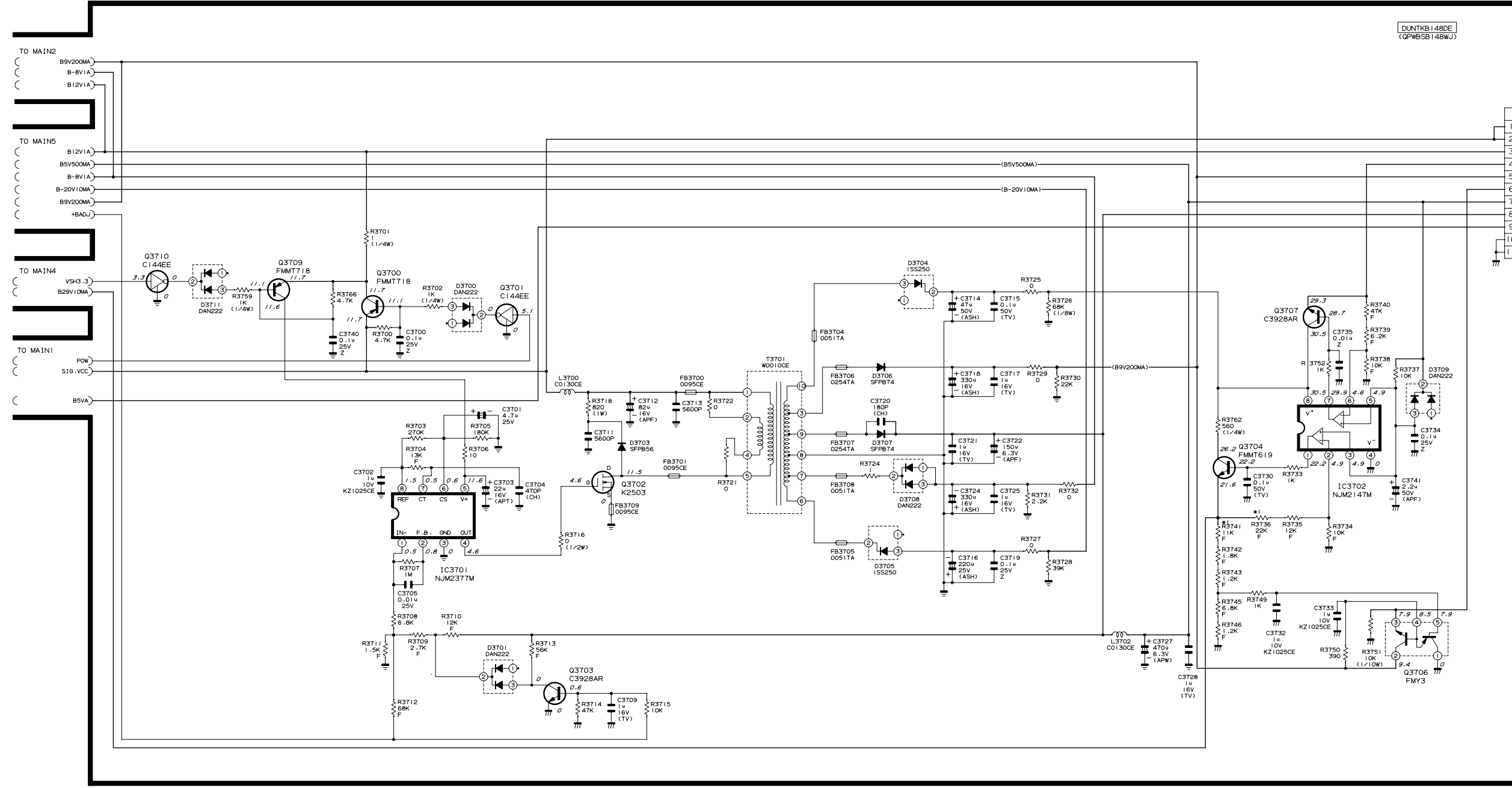
MAIN Unit-6/6

H  
G  
F  
E  
D  
C  
B  
A

MAIN6

DUNTKB148DE  
(GFWBSB148WJ)

MB	TO TUNER2
1	SIG VCC
2	SIG VCC
3	B12V1A
4	B31V
5	B9V200MA
6	B8V
7	B5V500MA
8	BTU5V500MA
9	B5VA
10	GND
11	GND

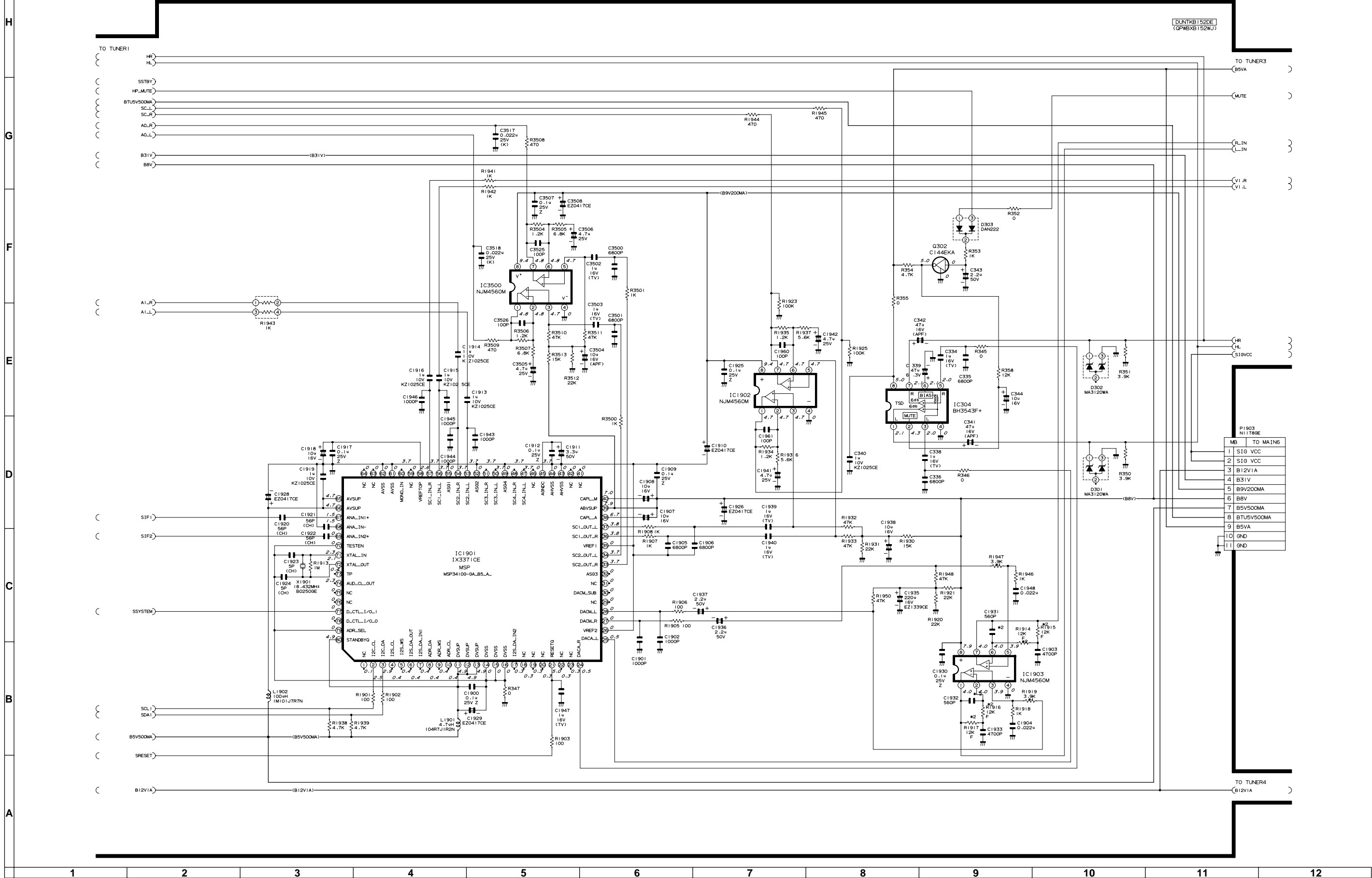


1 2 3 4 5 6 7 8 9 10 11 12



TUNER Unit-2/4

TUNER 2

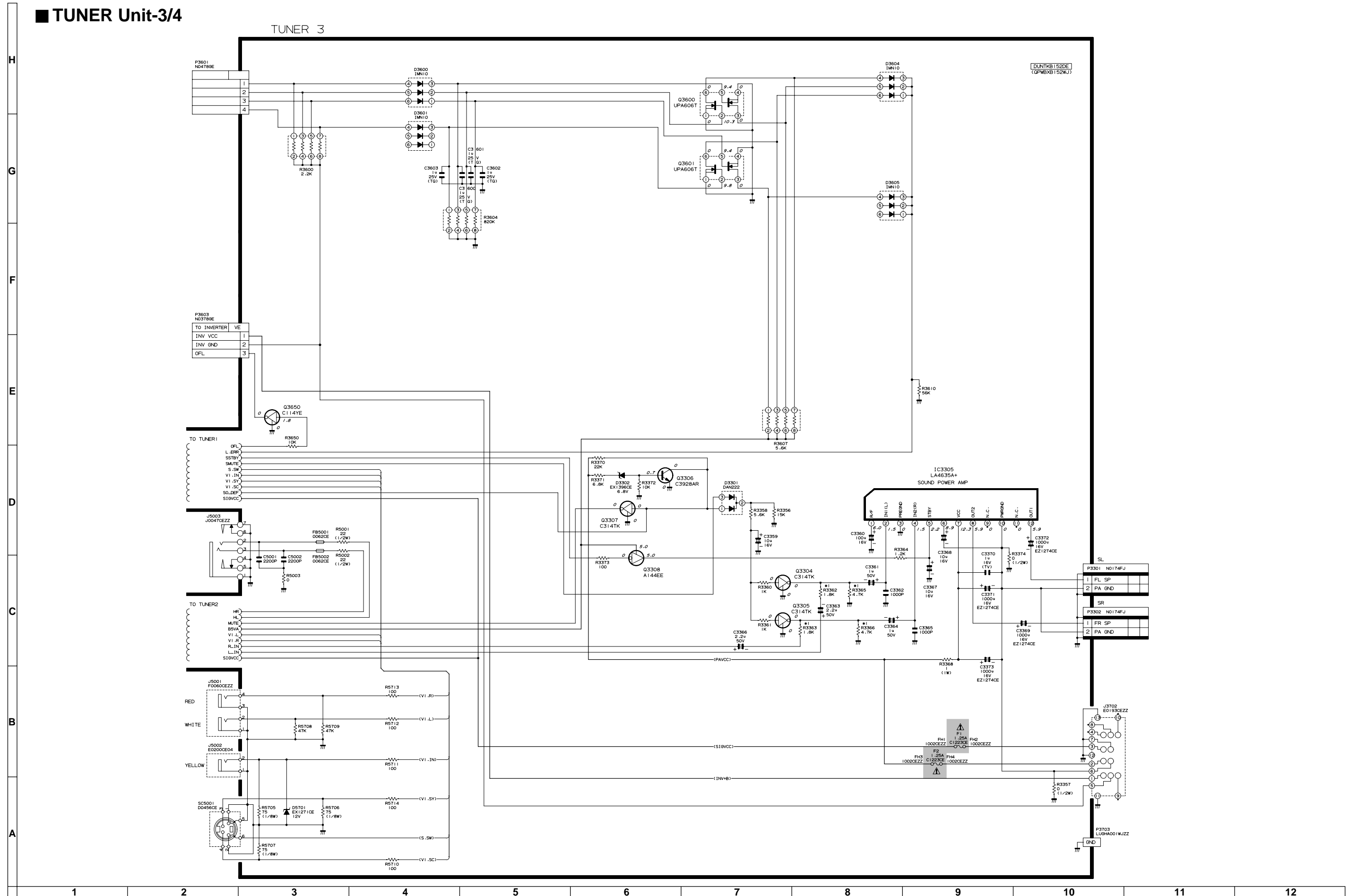


P1903 NI178E

MB	TO MAINS
1	SIG VCC
2	SIG VCC
3	B12V1A
4	B31V
5	BTU5V00MA
6	BBV
7	BSV500MA
8	BTU5V500MA
9	BSVA
10	GND
11	GND

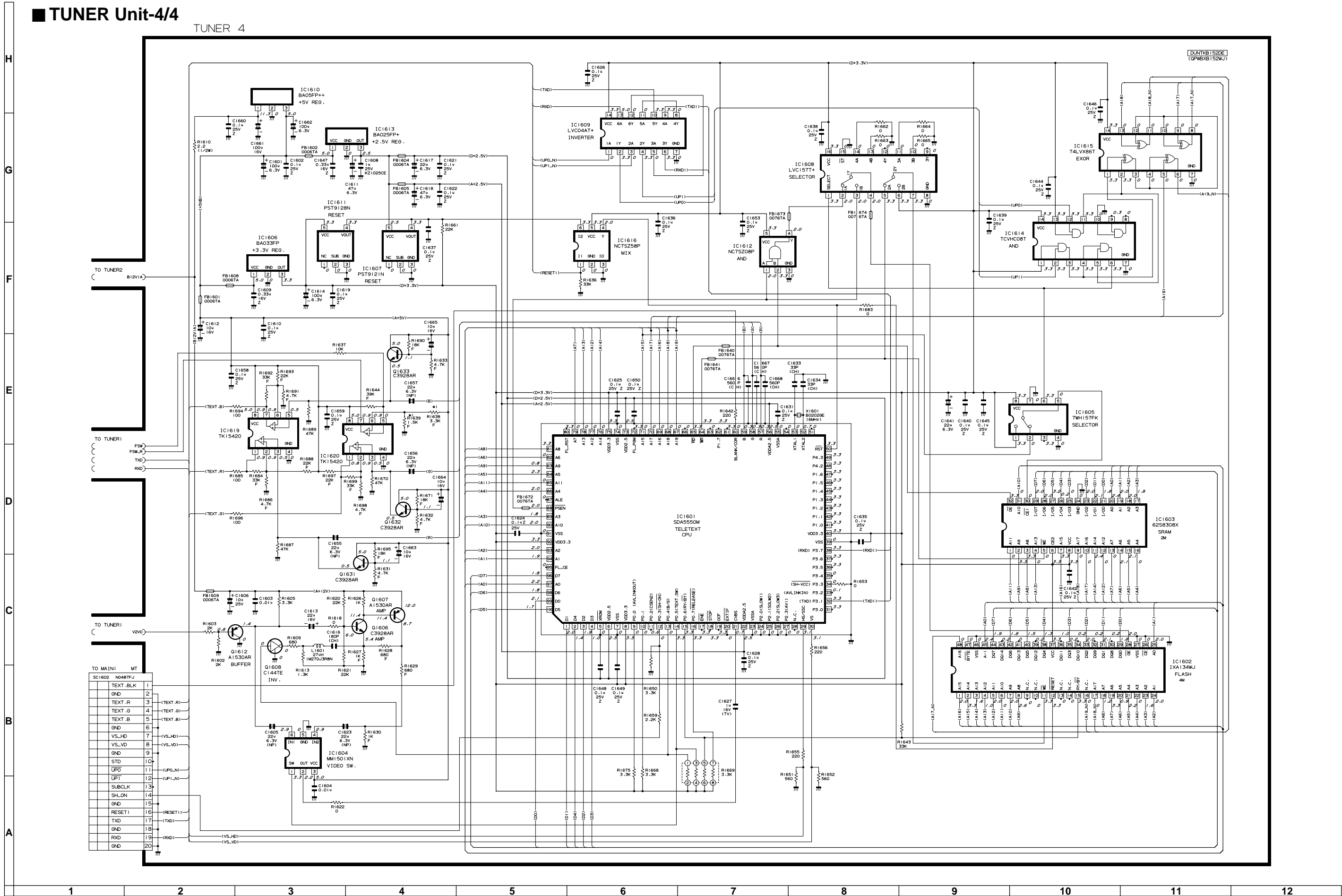
TUNER Unit-3/4

TUNER 3



TUNER Unit-4/4

TUNER 4

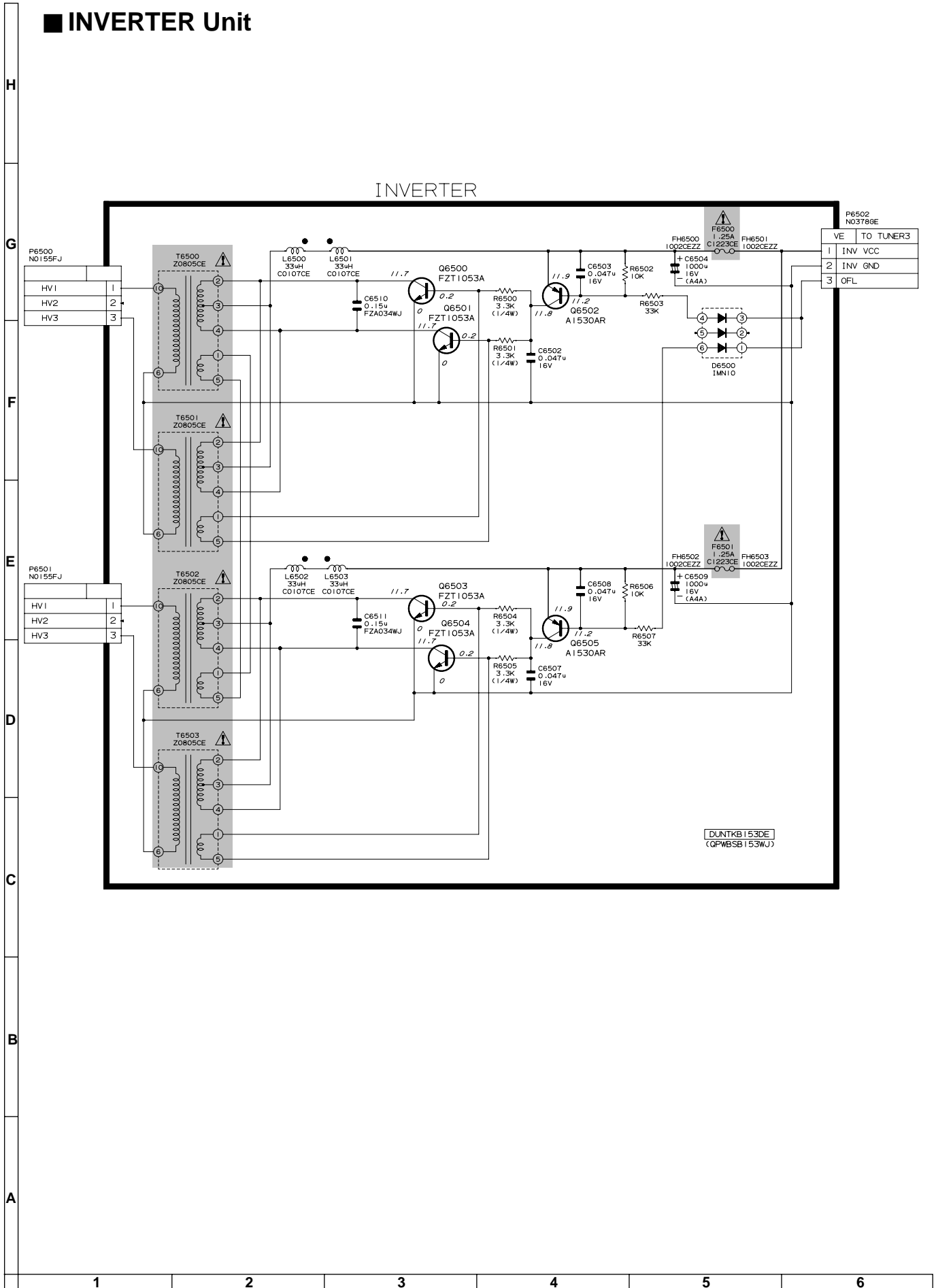


TO MAIN1 MT

SC1602	N0487FJ
TEXT_BLK	1
GND	2
TEXT_R	3 (TEXT-R)
TEXT_G	4 (TEXT-G)
TEXT_B	5 (TEXT-B)
GND	6
VS_LH	7 (VS-LH)
VS_LD	8 (VS-LD)
GND	9
STD	10
UPT	11 (UPT-N)
SUBCLK	12 (UPT-N)
SH_ON	13
GND	14
RESET1	15 (RESET1)
TXD	16 (TXD)
GND	17
RXD	18 (RXD)
GND	19
GND	20

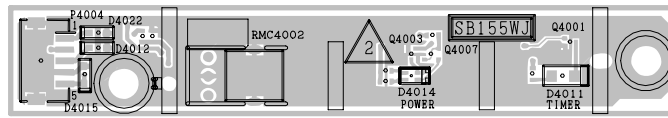


**INVERTER Unit**

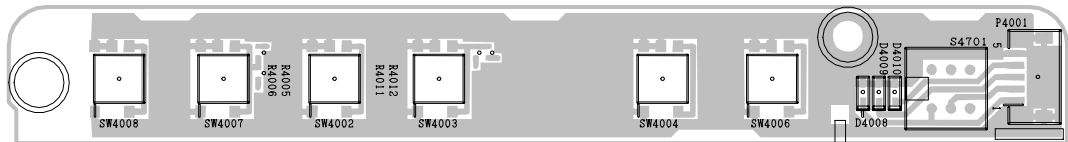


# PRINTED WIRING BOARD ASSEMBLIES

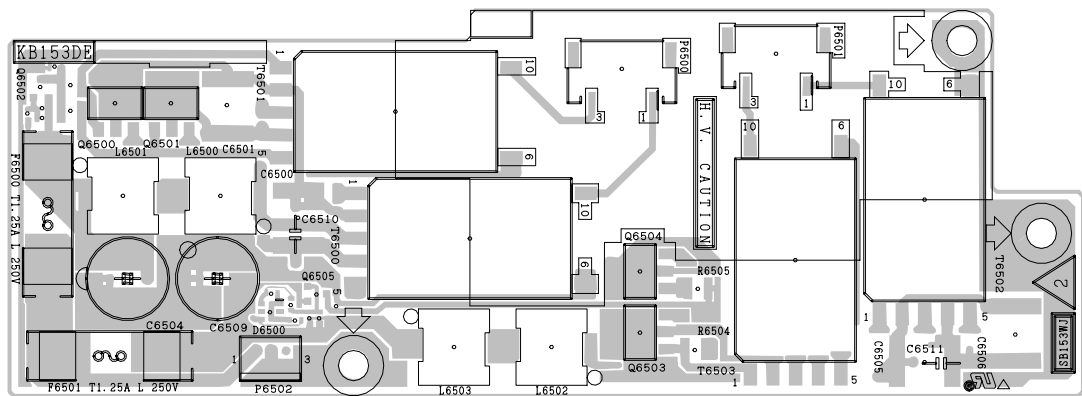
H  
G  
F  
E  
D  
C  
B  
A



**RC/LED Unit (Component Side)**

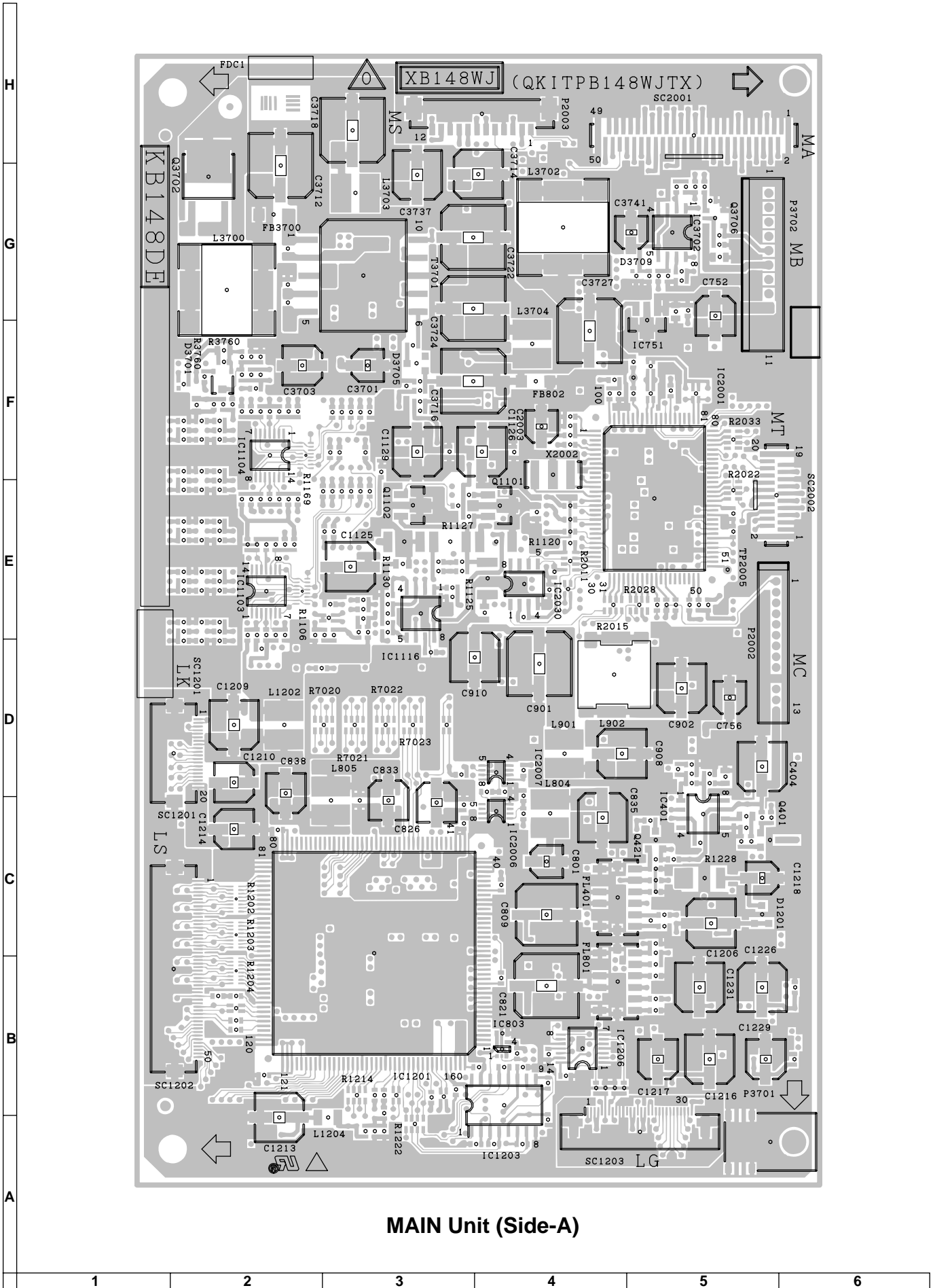


**OPERATION Unit (Component Side)**



**INVERTER Unit (Component Side)**

1 2 3 4 5 6







# PARTS LIST

## PARTS REPLACEMENT

Replacement parts which have these special safety characteristics identified in this manual; electrical components having such features are identified by  $\Delta$  and shaded areas in the Replacement Parts Lists and Schematic Diagrams. The use of a substitute replacement part which does not have the same safety characteristic as the factory recommended replacement parts shown in this service manual may create shock, fire or other hazards.

### "HOW TO ORDER REPLACEMENT PARTS"

To have your order filled promptly and correctly, please furnish the following information.

- |                 |                |
|-----------------|----------------|
| 1. MODEL NUMBER | 2. REF. NO.    |
| 3. PART NO.     | 4. DESCRIPTION |

★ MARK: SPARE PARTS-DELIVERY SECTION

Ref. No.	Part No.	★	Description	Code
----------	----------	---	-------------	------

## PRINTED WIRING BOARD ASSEMBLIES (NOT REPLACEMENT ITEM)

DUNTKB148FE55	-	MAIN Unit	—
DUNTKB152DE02	-	TUNER Unit	—
DUNTKB153DE02	-	INVERTER Unit	—
DUNTKB155DE02	-	RC/LED Unit	—
DUNTKB156DE02	-	OPERATION Unit	—

## LCD PANEL

**NOTE: THE PARTS HERE SHOWN ARE SUPPLIED AS AN ASSEMBLY BUT NOT INDEPENDENTLY.**  
RLCDA003WJZZ J 15' LCD Panel Unit CY

## DUNTKB148FE55 MAIN UNIT

### INTEGRATED CIRCUITS

IC401	VHiBA7046F/-1	J	BA7046F	AF
IC402	VHiNJM2235M-1	J	NJM2235M	AE
IC751	VHiAN77L05M-1	J	AN77L05M-E1	AG
IC752	VHiBA033FP/-1	J	BA033FP-E2	AG
IC801	VHiVPC3230D1EQ	J	VPC3230D-QA-B3	BD
IC1101	VHiMB8346BV-1	J	MB88346BPFV	AN
IC1102	VHiNJM4565V-1	J	NJM4565V	AF
IC1103	VHiNJM2060V-1	J	NJM2060V	AF
IC1104	VHiNJM2060V-1	J	NJM2060V	AF
IC1105	VHiBU4053V/-1	J	BU4053BCFV-E2	AE
IC1106	VHiNJM4580V-1	J	NJM4580V	AE
IC1107	VHiNJM4580V-1	J	NJM4580V	AE
IC1108	VHiNJM4580V-1	J	NJM4580V	AE
IC1109	VHiNJM353M/-1	J	NJM353M	AG
IC1110	VHiBU4053V/-1	J	BU4053BCFV-E2	AE
IC1111	VHiMB8346BV-1	J	MB88346BPFV	AN
IC1112	VHiBU4053V/-1	J	BU4053BCFV-E2	AE
IC1113	VHiBU4053V/-1	J	BU4053BCFV-E2	AE
IC1114	VHiNJM4580V-1	J	NJM4580V	AE
IC1115	VHiNJM4580V-1	J	NJM4580V	AE

Ref. No.	Part No.	★	Description	Code
IC1116	VHiNJM2147M-1	J	NJM2147M-TE1	AF
IC1201	RH-iX3378CEN1Q	J	LR38815	AY
IC1202	VHiPD485505-2	J	UPD485505G-25	AY
IC1203	RH-iX1518CEZZ	J	TC74HC157AF	AG
IC1206	VHiLVX125FT-1	J	TC74LVX125FT	AG
IC1207	VHiTC4W66U/-1	J	TC4W66FU	AF
IC1208	VHiPQ1R34+++1Y	J	PQ1R34	AE
IC2001	RH-iXA160WJZZQ	J	M306V0ME-161FP	BA
IC2002	VHiPST529DM-1	J	PST529DMT	AE
IC2004	VHiBR2416E2-1	J	BR24C16F	AK
IC2030	VHiM95640MN-1Y	J	I.C.	AK
IC2031	VHiSNT1G32C-1	J	SN74AHCT1G32DC	AD
IC2032	VHiTC4W66F/-1	J	TC4W66F	AE
IC3701	VHiNJM2377M-1	J	NJM2377M	AK
IC3702	VHiNJM2147M-1	J	NJM2147M-TE1	AF

### TRANSISTORS

Q401	VS2SC3928AR-1	J	2SC3928AR	AB
Q420	VS2SA1530AR-1	J	2SA1530AR	AB
Q421	VS2SA1530AR-1	J	2SA1530AR	AB
Q751	VS2SA1530AR-1	J	2SA1530AR	AB
Q752	VSDTC144EE/-1	J	DTC144EE	AA
Q753	VS2SA1530AR-1	J	2SA1530AR	AB
Q820	VS2SA1530AR-1	J	2SA1530AR	AB
Q1101	VS2SA1729//-1	J	2SA1729	AF
Q1102	VS2SC4520//-1	J	2SC4520	AE
Q1103	VS2SA1036K/-1	J	2SA1036K	AC
Q1104	VS2SA1036K/-1	J	2SA1036K	AC
Q1105	VS2SA1036K/-1	J	2SA1036K	AC
Q1106	VSFMMT718//-1	J	FMMT718	AE
Q1107	VSDTC144EE/-1	J	DTC144EE	AA
Q1108	VS2SC4520//-1	J	2SC4520	AE
Q1109	VS2SA1729//-1	J	2SA1729	AF
Q1201	VSDTC144EE/-1	J	DTC144EE	AA
Q1203	VSDTC144EE/-1	J	DTC144EE	AA
Q1204	VS2SA1037KQ-1	J	2SA1037KQ	AA
Q1205	VSUMX2N++++-1Y	J	UMX2N++++	AB
Q2004	VSDTC144EE/-1	J	DTC144EE	AA
Q2005	VSDTA144EE/-1	J	DTA144EE	AA
Q2006	VSDTC144EE/-1	J	DTC144EE	AA
Q3700	VSFMMT718//-1	J	FMMT718	AE
Q3701	VSDTC144EE/-1	J	DTC144EE	AA
Q3702	VS2SK2503//-1	J	2SK2503	AE
Q3703	VS2SC3928AR-1	J	2SC3928AR	AB
Q3704	VSFMMT619/-1	J	FMMT619	AE
Q3706	VSFMY3////-1	J	FMY3////	AB
Q3707	VS2SC3928AR-1	J	2SC3928AR	AB
Q3709	VSFMMT718//-1	J	FMMT718	AE
Q3710	VSDTC144EE/-1	J	DTC144EE	AA

### DIODES

D1101	VHD1SS250//1E	J	Diode	AB
D1106	VHDDAN222//-1	J	Diode	AA
D1107	VHD1SS250//1E	J	Diode	AB
D1108	VHDDAN222//-1	J	Diode	AA
D1109	VHDDAN222//-1	J	Diode	AA
D1110	VHDDAN222//-1	J	Diode	AA
D1201	VHD1SS250//1E	J	Diode	AB
D1203	VHDRB491D+++1Y	J	Diode	AD
D1205	VHDDAN222//-1	J	Diode	AA
D1206	RH-EX0227CEZZ	J	Zener Diode	AB
D1208	VHDDAN222//-1	J	Diode	AA
D1209	RH-EX1247CEZZY	J	Zener Diode	AB
D1210	VHDDAN222//-1	J	Diode	AA
D1211	VHDDAN222//-1	J	Diode	AA
D1212	VHDRB481K+++1Y	J	Diode	AD
D2001	VHDDAN222//-1	J	Diode	AA
D2002	RH-EX0849CEZZ	J	Zener Diode	AC
D3700	VHDDAN222//-1	J	Diode	AA
D3701	VHDDAN222//-1	J	Diode	AA
D3703	VHDSFPB56//2E	J	Diode	AC
D3704	VHD1SS250//1E	J	Diode	AB
D3705	VHD1SS250//1E	J	Diode	AB
D3706	VHDSFPB74//2E	J	Diode	AD
D3707	VHDSFPB74//2E	J	Diode	AD

Ref. No.	Part No.	★	Description	Code
----------	----------	---	-------------	------

**DUNTKB148FE55  
MAIN UNIT (Continued)**

D3708	VHDDAN222//1	J	Diode	AA
D3709	VHDDAN222//1	J	Diode	AA
D3711	VHDDAN222//1	J	Diode	AA

**PACKAGED CIRCUITS**

X801	RCRSC0012CEZZ	J	Crystal	AH
X2002	RFiLZ0169TAZZY	J	Filter	AD

**FILTERS AND COILS**

FL401	RFiLCA002WJZZY	J	Filter	AG
FL801	RFiLCA002WJZZY	J	Filter	AG
L804	RCiLC0055CEZZ	J	Coil	AD
L805	RCiLC0055CEZZ	J	Coil	AD
L1201	VP-1M470J5R4N	J	Peaking 47µH	AC
L1202	RCiLC0055CEZZ	J	Coil	AD
L1203	VP-1M220J2R9N	J	Peaking 22µH	AC
L1204	VP-1M220J2R9N	J	Peaking 22µH	AC
L1205	VP-1M220J2R9N	J	Peaking 22µH	AC
L3700	RCiLC0130CEZZ	J	Coil	AG
L3702	RCiLC0130CEZZ	J	Coil	AG

**TRANSFORMER**

T3701	RTRNW0010CEZZY	J	Transformer	AL
-------	----------------	---	-------------	----

**CAPACITORS**

C401	VCKYTV1AB105K	J	1.0	10V	Ceramic	AD
C402	VCKYCY1HB102K	J	1000p	50V	Ceramic	AA
C403	VCKYCY1EF104Z	J	0.1	25V	Ceramic	AA
C404	VCEAPF1AW476M	J	47	10V	Electrolytic	AB
C405	VCKYCY1HB222K	J	2200p	50V	Ceramic	AA
C406	VCKYTV1AB105K	J	1.0	10V	Ceramic	AD
C407	VCCCCY1HH101J	J	100p	50V	Ceramic	AA
C408	VCKYTV1AB105K	J	1.0	10V	Ceramic	AD
C409	VCKYTV1AB105K	J	1.0	10V	Ceramic	AD
C410	VCKYCY1EF104Z	J	0.1	25V	Ceramic	AA
C413	VCCCCY1HH331J	J	330p	50V	Ceramic	AA
C414	VCCCCY1HH151J	J	150p	50V	Ceramic	AA
C751	VCKYTV1CF105Z	J	1.0	16V	Ceramic	AB
C752	VCEAPF1CN226M	J	22	16V	Electrolytic	AD
C753	VCKYTV1CF105Z	J	1.0	16V	Ceramic	AB
C755	VCKYCY1CF334Z	J	0.33	16V	Ceramic	AA
C756	VCEAPF0JN226M	J	22	6.3V	Electrolytic	AD
C801	VCEAPF1CN106M	J	10	16V	Electrolytic	AD
C802	VCKYCY1EF104Z	J	0.1	25V	Ceramic	AA
C803	VCCCCY1HH7R0D	J	7.0p	50V	Ceramic	AA
C804	VCCCCY1HH7R0D	J	7.0p	50V	Ceramic	AA
C805	RC-KZ1025CEZZ	J	1.0	10V	Ceramic	AB
C806	RC-KZ1025CEZZ	J	1.0	10V	Ceramic	AB
C809	VCEAPK1CN107M	J	100	16V	Electrolytic	AD
C810	VCKYCY1EF104Z	J	0.1	25V	Ceramic	AA
C812	RC-KZ1025CEZZ	J	1.0	10V	Ceramic	AB
C813	RC-KZ1025CEZZ	J	1.0	10V	Ceramic	AB
C814	VCKYCY1HB102K	J	1000p	50V	Ceramic	AA
C815	VCKYTV1CF684Z	J	0.68	16V	Ceramic	AB
C816	VCKYTV1CF684Z	J	0.68	16V	Ceramic	AB
C817	VCKYTV1CF684Z	J	0.68	16V	Ceramic	AB
C818	RC-KZ1025CEZZ	J	1.0	10V	Ceramic	AB
C819	RC-KZ1025CEZZ	J	1.0	10V	Ceramic	AB
C820	VCKYCY1EF104Z	J	0.1	25V	Ceramic	AA
C821	VCEAPW1CN477M	J	470	16V	Electrolytic	AE
C822	RC-KZ1025CEZZ	J	1.0	10V	Ceramic	AB
C823	RC-KZ1025CEZZ	J	1.0	10V	Ceramic	AB
C826	VCEAPF0GW107M	J	100	4.0V	Electrolytic	AC
C827	VCKYCY1EF104Z	J	0.1	25V	Ceramic	AA
C830	VCKYCY1CF224Z	J	0.22	16V	Ceramic	AA
C831	VCKYCY1CF224Z	J	0.22	16V	Ceramic	AA
C832	VCKYCY1CF224Z	J	0.22	16V	Ceramic	AA
C833	VCEAPF0GW107M	J	100	4.0V	Electrolytic	AC
C834	VCKYCY1EF104Z	J	0.1	25V	Ceramic	AA
C835	VCEAPF0JW107M	J	100	6.3V	Electrolytic	AC
C836	RC-KZ1025CEZZ	J	1.0	10V	Ceramic	AB

Ref. No.	Part No.	★	Description	Code
----------	----------	---	-------------	------

C837	RC-KZ1025CEZZ	J	1.0	10V	Ceramic	AB
C838	VCEAPF0GW107M	J	100	4.0V	Electrolytic	AC
C839	RC-KZ1025CEZZ	J	1.0	10V	Ceramic	AB
C840	VCKYTV1CF684Z	J	0.68	16V	Ceramic	AB
C842	VCKYCY1CF104Z	J	0.1	16V	Ceramic	AA
C843	VCCCCY1HH180J	J	18p	50V	Ceramic	AA
C844	VCCCCY1HH180J	J	18p	50V	Ceramic	AA
C845	VCCCCY1HH180J	J	18p	50V	Ceramic	AA
C846	VCCCCY1HH180J	J	18p	50V	Ceramic	AA
C847	VCCCCY1HH180J	J	18p	50V	Ceramic	AA
C848	VCCCCY1HH101J	J	100p	50V	Ceramic	AA
C850	VCCCCY1HH180J	J	18p	50V	Ceramic	AA
C1101	VCKYCY1EF104Z	J	0.1	25V	Ceramic	AA
C1102	VCKYCY1EF104Z	J	0.1	25V	Ceramic	AA
C1103	VCKYCY1EF104Z	J	0.1	25V	Ceramic	AA
C1104	VCKYCY1EF104Z	J	0.1	25V	Ceramic	AA
C1105	VCKYCY1EF104Z	J	0.1	25V	Ceramic	AA
C1107	VCKYCY1EF104Z	J	0.1	25V	Ceramic	AA
C1108	VCKYCY1EF104Z	J	0.1	25V	Ceramic	AA
C1109	VCKYCY1EF104Z	J	0.1	25V	Ceramic	AA
C1110	VCKYCY1EF104Z	J	0.1	25V	Ceramic	AA
C1111	VCKYCY1EF104Z	J	0.1	25V	Ceramic	AA
C1112	VCKYCY1EF104Z	J	0.1	25V	Ceramic	AA
C1113	VCKYCY1EF104Z	J	0.1	25V	Ceramic	AA
C1114	VCKYCY1EF104Z	J	0.1	25V	Ceramic	AA
C1115	VCKYCY1EF104Z	J	0.1	25V	Ceramic	AA
C1116	VCKYCY1EF104Z	J	0.1	25V	Ceramic	AA
C1117	VCCCCY1HH560J	J	56p	50V	Ceramic	AA
C1118	VCKYCY1EF104Z	J	0.1	25V	Ceramic	AA
C1119	VCKYTV1CF105Z	J	1.0	16V	Ceramic	AB
C1120	VCKYTV1EF104Z	J	0.1	25V	Ceramic	AB
C1122	VCKYTV1CF105Z	J	1.0	16V	Ceramic	AB
C1123	VCKYCY1EF104Z	J	0.1	25V	Ceramic	AA
C1124	VCKYCY1EF104Z	J	0.1	25V	Ceramic	AA
C1125	VCEASM1CN107MY	J	100	16V	Electrolytic	AD
C1126	RC-EZ1339CEZZ	J	220	16V	Electrolytic	AD
C1129	RC-EZ1339CEZZ	J	220	16V	Electrolytic	AD
C1130	VCKYCY1EF104Z	J	0.1	25V	Ceramic	AA
C1131	VCKYCY1EF104Z	J	0.1	25V	Ceramic	AA
C1132	VCKYCY1EF104Z	J	0.1	25V	Ceramic	AA
C1133	VCKYCY1EF104Z	J	0.1	25V	Ceramic	AA
C1134	VCKYCY1EF104Z	J	0.1	25V	Ceramic	AA
C1135	VCKYCY1EF104Z	J	0.1	25V	Ceramic	AA
C1136	VCKYCY1EF104Z	J	0.1	25V	Ceramic	AA
C1137	VCKYCY1EF104Z	J	0.1	25V	Ceramic	AA
C1138	VCKYCY1EF104Z	J	0.1	25V	Ceramic	AA
C1139	VCKYCY1EF104Z	J	0.1	25V	Ceramic	AA
C1141	VCKYCY1EF104Z	J	0.1	25V	Ceramic	AA
C1142	VCKYCY1EF104Z	J	0.1	25V	Ceramic	AA
C1143	VCKYCY1EF104Z	J	0.1	25V	Ceramic	AA
C1144	VCKYCY1EF104Z	J	0.1	25V	Ceramic	AA
C1145	VCKYCY1EF104Z	J	0.1	25V	Ceramic	AA
C1146	VCKYCY1EF104Z	J	0.1	25V	Ceramic	AA
C1147	VCKYCY1EF104Z	J	0.1	25V	Ceramic	AA
C1148	VCKYCY1EF104Z	J	0.1	25V	Ceramic	AA
C1149	VCKYCY1EF104Z	J	0.1	25V	Ceramic	AA
C1150	VCKYCY1EF104Z	J	0.1	25V	Ceramic	AA
C1151	VCKYCY1EF104Z	J	0.1	25V	Ceramic	AA
C1152	VCCCCY1HH181J	J	180p	50V	Ceramic	AA
C1153	VCKYTV1HB103K	J	0.01	50V	Ceramic	AA
C1154	VCKYTV1HB103K	J	0.01	50V	Ceramic	AA
C1155	VCKYTV1CB334K	J	0.33	16V	Ceramic	AC
C1156	VCCCCY1HH560J	J	56p	50V	Ceramic	AA
C1157	VCKYTV1CB105K	J	1.0	16V	Ceramic	AC
C1203	VCKYCY1EF104Z	J	0.1	25V	Ceramic	AA
C1204	VCCCCY1HH220J	J	22p	50V	Ceramic	AA
C1205	VCCCCY1HH220J	J	22p	50V	Ceramic	AA
C1206	VCEASM1HN106MY	J	10	50V	Electrolytic	AD
C1207	VCKYCY1EF104Z	J	0.1	25V	Ceramic	AA
C1208	VCKYTV1HF104Z	J	0.1	50V	Ceramic	AA
C1209	VCEASH0JN227MY	J	220	6.3V	Electrolytic	AC
C1210	VCEASM0GW107MY	J	100	4.0V	Electrolytic	AC
C1211	VCKYCY1EF104Z	J	0.1	25V	Ceramic	AA
C1212	VCKYCY1EF104Z	J	0.1	25V	Ceramic	AA
C1213	VCEASM1CW107MY	J	100	16V	Electrolytic	AD

Ref. No.	Part No.	★	Description	Code	Ref. No.	Part No.	★	Description	Code
<b>DUNTKB148FE55</b>									
<b>MAIN UNIT (Continued)</b>									
C1214	VCEASM0GW107MY	J 100	4.0V Electrolytic	AC	R409	VRS-CY1JF103J	J 10k	1/16W Metal Oxide	AA
C1215	RC-KZ1025CEZZ	J 1.0	10V Ceramic	AB	R410	VRS-CY1JF474J	J 470k	1/16W Metal Oxide	AA
C1217	VCEASM1HN475MY	J 4.7	50V Electrolytic	AD	R414	VRS-CY1JF105J	J 1M	1/16W Metal Oxide	AA
C1218	VCEASM1CN106MY	J 10	16V Electrolytic	AC	R415	VRS-CY1JF105J	J 1M	1/16W Metal Oxide	AA
C1219	VCKYCY1EF104Z	J 0.1	25V Ceramic	AA	R416	VRS-CY1JF105J	J 1M	1/16W Metal Oxide	AA
C1223	VCKYCY1EF104Z	J 0.1	25V Ceramic	AA	R417	VRS-CY1JF331J	J 330	1/16W Metal Oxide	AA
C1224	VCKYCY1EF104Z	J 0.1	25V Ceramic	AA	R418	VRS-CY1JF101J	J 100	1/16W Metal Oxide	AA
C1225	VCKYCY1EF104Z	J 0.1	25V Ceramic	AA	R419	VRS-CY1JF101J	J 100	1/16W Metal Oxide	AA
C1226	VCEASM1HN106MY	J 10	50V Electrolytic	AD	R420	VRS-CY1JF152J	J 1.5k	1/16W Metal Oxide	AA
C1227	VCKYTV1CB105K	J 1.0	16V Ceramic	AC	R421	VRS-CY1JF332J	J 3.3k	1/16W Metal Oxide	AA
C1228	RC-KZ1025CEZZ	J 1.0	10V Ceramic	AB	R422	VRS-CY1JF471J	J 470	1/16W Metal Oxide	AA
C1229	VCEASM1CN226MY	J 22	16V Electrolytic	AD	R424	VRS-CY1JF331J	J 330	1/16W Metal Oxide	AA
C1230	VCKYTV1CB105K	J 1.0	16V Ceramic	AC	R427	VRS-CY1JF561J	J 560	1/16W Metal Oxide	AA
C1231	VCEASM1CN107MY	J 100	16V Electrolytic	AD	R428	VRS-CY1JF561J	J 560	1/16W Metal Oxide	AA
C1232	VCKYTV1HF104Z	J 0.1	50V Ceramic	AA	R430	VRS-CY1JF000J	J 0	1/16W Metal Oxide	AA
C1240	VCKYCY1EF104Z	J 0.1	25V Ceramic	AA	R726	VRS-CY1JF1R0J	J 1.0	1/16W Metal Oxide	AA
C1241	VCKYCY1EF104Z	J 0.1	25V Ceramic	AA	R751	VRS-CY1JF1R0J	J 1.0	1/16W Metal Oxide	AA
C1242	VCKYCY1EF104Z	J 0.1	25V Ceramic	AA	R752	VRS-CY1JF154J	J 150k	1/16W Metal Oxide	AA
C1243	VCKYCY1EF104Z	J 0.1	25V Ceramic	AA	R753	VRS-CY1JF274J	J 270k	1/16W Metal Oxide	AA
C2001	VCKYCY1HB102K	J 1000p	50V Ceramic	AA	R775	VRS-CY1JF000J	J 0	1/16W Metal Oxide	AA
C2002	VCCCCY1HH221J	J 220p	50V Ceramic	AA	R777	VRS-CY1JF102J	J 1.0k	1/16W Metal Oxide	AA
C2003	VCEAPF1HW105M	J 1.0	50V Electrolytic	AB	R789	VRS-CY1JF102J	J 1.0k	1/16W Metal Oxide	AA
C2006	VCKYCY1EF104Z	J 0.1	25V Ceramic	AA	R790	VRS-CY1JF102J	J 1.0k	1/16W Metal Oxide	AA
C2007	VCKYCY1EF104Z	J 0.1	25V Ceramic	AA	R801	VRS-CB1JF221J	J 220	1/16W Metal Oxide	AC
C2009	VCKYCY1EF104Z	J 0.1	25V Ceramic	AA	R802	VRS-CB1JF220J	J 22	1/16W Metal Oxide	AC
C2010	VCKYCY1EF104Z	J 0.1	25V Ceramic	AA	R803	VRS-CB1JF220J	J 22	1/16W Metal Oxide	AC
C2011	VCCCCY1HH220J	J 22p	50V Ceramic	AA	R804	VRS-CA1JF101J	J 100	1/16W Metal Oxide	AA
C2016	VCKYCY1EF104Z	J 0.1	25V Ceramic	AA	R805	VRS-CY1JF101J	J 100	1/16W Metal Oxide	AA
C2017	VCKYCY1EF104Z	J 0.1	25V Ceramic	AA	R810	VRS-CB1JF220J	J 22	1/16W Metal Oxide	AC
C2030	VCKYCY1EF104Z	J 0.1	25V Ceramic	AA	R811	VRS-CY1JF222J	J 2.2k	1/16W Metal Oxide	AA
C2031	VCKYCY1EF104Z	J 0.1	25V Ceramic	AA	R812	VRS-CY1JF000J	J 0	1/16W Metal Oxide	AA
C2100	VCKYCY1EF104Z	J 0.1	25V Ceramic	AA	R813	VRS-CB1JF220J	J 22	1/16W Metal Oxide	AC
C3700	VCKYCY1EF104Z	J 0.1	25V Ceramic	AA	R814	VRS-CY1JF332J	J 3.3k	1/16W Metal Oxide	AA
C3701	VCEAPF1EW475M	J 4.7	25V Electrolytic	AB	R815	VRS-CY1JF000J	J 0	1/16W Metal Oxide	AA
C3702	RC-KZ1025CEZZ	J 1.0	10V Ceramic	AB	R816	VRS-CY1JF470J	J 47	1/16W Metal Oxide	AA
C3703	VCEAPT1CN226M	J 22	16V Electrolytic	AC	R817	VRS-CY1JF332J	J 3.3k	1/16W Metal Oxide	AA
C3704	VCCCCY1HH471J	J 470p	50V Ceramic	AA	R818	VRS-CY1JF331J	J 330	1/16W Metal Oxide	AA
C3705	VCKYCY1EB103K	J 0.01	25V Ceramic	AA	R819	VRS-CY1JF000J	J 0	1/16W Metal Oxide	AA
C3709	VCKYTV1CF105Z	J 1.0	16V Ceramic	AB	R820	VRS-CA1JF101J	J 100	1/16W Metal Oxide	AA
C3711	VCKYCY1HB562K	J 5600p	50V Ceramic	AA	R821	VRS-CY1JF101J	J 100	1/16W Metal Oxide	AA
C3712	VCAAPF1CJ826MY	J 82	16V Electrolytic	AG	R822	VRS-CY1JF101J	J 100	1/16W Metal Oxide	AA
C3713	VCKYCY1HB562K	J 5600p	50V Ceramic	AA	R826	VRS-CY1JF101J	J 100	1/16W Metal Oxide	AA
C3714	VCEASH1HN476MY	J 47	50V Electrolytic	AD	R830	VRS-CY1JF561J	J 560	1/16W Metal Oxide	AA
C3715	VCKYTV1HF104Z	J 0.1	50V Ceramic	AA	R832	VRS-CY1JF000J	J 0	1/16W Metal Oxide	AA
C3716	VCEASH1EN227MY	J 220	25V Electrolytic	AE	R836	VRS-CY1JF000J	J 0	1/16W Metal Oxide	AA
C3717	VCKYTV1CF105Z	J 1.0	16V Ceramic	AB	R838	VRS-CY1JF000J	J 0	1/16W Metal Oxide	AA
C3718	VCEASH1CN337MY	J 330	16V Electrolytic	AE	R840	VRS-CY1JF221J	J 220	1/16W Metal Oxide	AA
C3719	VCKYCY1EF104Z	J 0.1	25V Ceramic	AA	R851	VRS-CY1JF000J	J 0	1/16W Metal Oxide	AA
C3720	VCCCCY1HH181J	J 180p	50V Ceramic	AA	R852	VRS-CY1JF000J	J 0	1/16W Metal Oxide	AA
C3721	VCKYTV1CF105Z	J 1.0	16V Ceramic	AB	R853	VRS-CY1JF000J	J 0	1/16W Metal Oxide	AA
C3722	VCAAPF0J157MY	J 150	6.3V Electrolytic	AG	R854	VRS-CY1JF000J	J 0	1/16W Metal Oxide	AA
C3724	VCEASH1CN337MY	J 330	16V Electrolytic	AE	R1001	VRS-CY1JF102J	J 1.0k	1/16W Metal Oxide	AA
C3725	VCKYTV1CF105Z	J 1.0	16V Ceramic	AB	R1002	VRS-CY1JF103F	J 10k	1/16W Metal Oxide	AA
C3727	VCEAPW0JN477M	J 470	6.3V Electrolytic	AE	R1003	VRS-CY1JF103F	J 10k	1/16W Metal Oxide	AA
C3728	VCKYTV1CF105Z	J 1.0	16V Ceramic	AB	R1005	VRS-CY1JF103F	J 10k	1/16W Metal Oxide	AA
C3730	VCKYTV1HF104Z	J 0.1	50V Ceramic	AA	R1006	VRS-CY1JF243F	J 24k	1/16W Metal Oxide	AA
C3732	RC-KZ1025CEZZ	J 1.0	10V Ceramic	AB	R1007	VRS-CY1JF563F	J 56k	1/16W Metal Oxide	AA
C3733	RC-KZ1025CEZZ	J 1.0	10V Ceramic	AB	R1008	VRS-CY1JF822F	J 8.2k	1/16W Metal Oxide	AA
C3734	VCKYCY1EF104Z	J 0.1	25V Ceramic	AA	R1009	VRS-CY1JF682F	J 6.8k	1/16W Metal Oxide	AA
C3735	VCKYCY1HF103Z	J 0.01	50V Ceramic	AA	R1013	VRS-CY1JF101J	J 100	1/16W Metal Oxide	AA
C3740	VCKYCY1EF104Z	J 0.1	25V Ceramic	AA	R1014	VRS-CY1JF103J	J 10k	1/16W Metal Oxide	AA
C3741	VCEAPF1HN225M	J 2.2	50V Electrolytic	AD	R1016	VRS-CY1JF103J	J 10k	1/16W Metal Oxide	AA

**RESISTORS**

R401	VRS-CY1JF104J	J 100k	1/16W Metal Oxide	AA	R1024	VRS-CY1JF000J	J 0	1/16W Metal Oxide	AA
R402	VRS-CY1JF333J	J 33k	1/16W Metal Oxide	AA	R1025	VRS-CY1JF123F	J 12k	1/16W Metal Oxide	AA
R403	VRS-CY1JF103J	J 10k	1/16W Metal Oxide	AA	R1026	VRS-CY1JF103F	J 10k	1/16W Metal Oxide	AA
R404	VRS-CY1JF101J	J 100	1/16W Metal Oxide	AA	R1027	VRS-CY1JF123F	J 12k	1/16W Metal Oxide	AA
R405	VRS-CY1JF681J	J 680	1/16W Metal Oxide	AA	R1028	VRS-CY1JF103F	J 10k	1/16W Metal Oxide	AA
R406	VRS-CY1JF102J	J 1.0k	1/16W Metal Oxide	AA	R1029	VRS-CY1JF123F	J 12k	1/16W Metal Oxide	AA
R408	VRS-CY1JF102J	J 1.0k	1/16W Metal Oxide	AA	R1030	VRS-TW2ED150J	J 15	1/4W Metal Oxide	AB
					R1031	VRS-CY1JF123F	J 12k	1/16W Metal Oxide	AA



Ref. No.	Part No.	★	Description	Code
----------	----------	---	-------------	------

**DUNTKB148FE55  
MAIN UNIT (Continued)**

R1032	VRS-CY1JF103F	J	10k 1/16W	Metal Oxide AA
R1033	VRS-CY1JF123F	J	12k 1/16W	Metal Oxide AA
R1034	VRS-CY1JF123F	J	12k 1/16W	Metal Oxide AA
R1102	VRS-CY1JF113F	J	11k 1/16W	Metal Oxide AA
R1104	VRS-CA1JF333J	J	33k 1/16W	Metal Oxide AA
R1106	VRS-CF1JP333JY	J	33k 1/16W	Metal Oxide AC
R1107	VRS-CY1JF123F	J	12k 1/16W	Metal Oxide AA
R1108	VRS-CY1JF123F	J	12k 1/16W	Metal Oxide AA
R1109	VRS-CY1JF333J	J	33k 1/16W	Metal Oxide AA
R1110	VRS-CY1JF683F	J	68k 1/16W	Metal Oxide AA
R1111	VRS-CY1JF683F	J	68k 1/16W	Metal Oxide AA
R1112	VRS-CY1JF113F	J	11k 1/16W	Metal Oxide AA
R1114	VRS-CY1JF103F	J	10k 1/16W	Metal Oxide AA
R1115	VRS-CY1JF102J	J	1.0k 1/16W	Metal Oxide AA
R1116	VRS-CY1JF102J	J	1.0k 1/16W	Metal Oxide AA
R1117	VRS-CY1JF102J	J	1.0k 1/16W	Metal Oxide AA
R1118	VRS-CY1JF563F	J	56k 1/16W	Metal Oxide AA
R1119	VRS-CY1JF472F	J	4.7k 1/16W	Metal Oxide AA
R1120	VRS-TX2HF5R6J	J	5.6 1/2W	Metal Oxide AA
R1121	VRS-CY1JF181J	J	180 1/16W	Metal Oxide AA
R1123	VRS-CY1JF181J	J	180 1/16W	Metal Oxide AA
R1124	VRS-CY1JF472F	J	4.7k 1/16W	Metal Oxide AA
R1125	VRS-TX2HF101J	J	100 1/2W	Metal Oxide AA
R1126	VRS-CY1JF000J	J	0 1/16W	Metal Oxide AA
R1127	VRS-TX2HF1R8JY	J	1.8 1/2W	Metal Oxide AB
R1128	VRS-CY1JF105J	J	1M 1/16W	Metal Oxide AA
R1129	VRS-CY1JF363F	J	36k 1/16W	Metal Oxide AA
R1130	VRS-TX2HF5R6J	J	5.6 1/2W	Metal Oxide AA
R1131	VRS-CY1JF105J	J	1M 1/16W	Metal Oxide AA
R1132	VRS-CY1JF000J	J	0 1/16W	Metal Oxide AA
R1134	VRS-CY1JF000J	J	0 1/16W	Metal Oxide AA
R1140	VRS-CY1JF273F	J	27k 1/16W	Metal Oxide AA
R1142	VRS-CY1JF103F	J	10k 1/16W	Metal Oxide AA
R1143	VRS-CY1JF391J	J	390 1/16W	Metal Oxide AA
R1144	VRS-CY1JF391J	J	390 1/16W	Metal Oxide AA
R1145	VRS-TW2ED5R6J	J	5.6 1/4W	Metal Oxide AA
R1146	VRS-TW2ED8R2J	J	8.2 1/4W	Metal Oxide AB
R1147	VRS-TX2HF000J	J	0 1/2W	Metal Oxide AA
R1148	VRS-TX2HF100J	J	10 1/2W	Metal Oxide AA
R1150	VRS-CY1JF103F	J	10k 1/16W	Metal Oxide AA
R1151	VRS-CY1JF123F	J	12k 1/16W	Metal Oxide AA
R1152	VRS-CY1JF000J	J	0 1/16W	Metal Oxide AA
R1153	VRS-CY1JF000J	J	0 1/16W	Metal Oxide AA
R1154	VRS-CY1JF683F	J	68k 1/16W	Metal Oxide AA
R1155	VRS-CY1JF683J	J	68k 1/16W	Metal Oxide AA
R1156	VRS-CY1JF683F	J	68k 1/16W	Metal Oxide AA
R1157	VRS-CY1JF104J	J	100k 1/16W	Metal Oxide AA
R1158	VRS-CY1JF103F	J	10k 1/16W	Metal Oxide AA
R1160	VRS-CY1JF103F	J	10k 1/16W	Metal Oxide AA
R1161	VRS-CY1JF103F	J	10k 1/16W	Metal Oxide AA
R1162	VRS-CY1JF103F	J	10k 1/16W	Metal Oxide AA
R1163	VRS-CY1JF103F	J	10k 1/16W	Metal Oxide AA
R1164	VRS-CY1JF000J	J	0 1/16W	Metal Oxide AA
R1166	VRS-CY1JF683F	J	68k 1/16W	Metal Oxide AA
R1167	VRS-CY1JF103F	J	10k 1/16W	Metal Oxide AA
R1168	VRS-CY1JF123F	J	12k 1/16W	Metal Oxide AA
R1169	VRS-CF1JP333JY	J	33k 1/16W	Metal Oxide AC
R1170	VRS-CY1JF683F	J	68k 1/16W	Metal Oxide AA
R1171	VRS-CY1JF113F	J	11k 1/16W	Metal Oxide AA
R1172	VRS-CY1JF103F	J	10k 1/16W	Metal Oxide AA
R1173	VRS-CY1JF333J	J	33k 1/16W	Metal Oxide AA
R1174	VRS-CY1JF683F	J	68k 1/16W	Metal Oxide AA
R1175	VRS-CY1JF123F	J	12k 1/16W	Metal Oxide AA
R1176	VRS-CY1JF103F	J	10k 1/16W	Metal Oxide AA
R1177	VRS-CY1JF683F	J	68k 1/16W	Metal Oxide AA
R1178	VRS-CY1JF123F	J	12k 1/16W	Metal Oxide AA
R1179	VRS-CY1JF103F	J	10k 1/16W	Metal Oxide AA
R1182	VRS-CY1JF102J	J	1.0k 1/16W	Metal Oxide AA
R1183	VRS-CY1JF102J	J	1.0k 1/16W	Metal Oxide AA
R1184	VRS-CY1JF102J	J	1.0k 1/16W	Metal Oxide AA
R1185	VRS-CY1JF102J	J	1.0k 1/16W	Metal Oxide AA

Ref. No.	Part No.	★	Description	Code
----------	----------	---	-------------	------

R1186	VRS-CY1JF102J	J	1.0k 1/16W	Metal Oxide AA
R1187	VRS-CY1JF102J	J	1.0k 1/16W	Metal Oxide AA
R1188	VRS-CY1JF102J	J	1.0k 1/16W	Metal Oxide AA
R1190	VRS-CY1JF000J	J	0 1/16W	Metal Oxide AA
R1191	VRS-CY1JF000J	J	0 1/16W	Metal Oxide AA
R1192	VRS-CY1JF000J	J	0 1/16W	Metal Oxide AA
R1193	VRS-CY1JF680J	J	68 1/16W	Metal Oxide AA
R1194	VRS-CY1JF000J	J	0 1/16W	Metal Oxide AA
R1195	VRS-CY1JF000J	J	0 1/16W	Metal Oxide AA
R1196	VRS-CY1JF000J	J	0 1/16W	Metal Oxide AA
R1198	VRS-CY1JF000J	J	0 1/16W	Metal Oxide AA
R1199	VRS-CY1JF000J	J	0 1/16W	Metal Oxide AA
R1201	VRS-CY1JF000J	J	0 1/16W	Metal Oxide AA
R1202	VRS-CF1JP220JY	J	22 1/16W	Metal Oxide AC
R1203	VRS-CF1JP220JY	J	22 1/16W	Metal Oxide AC
R1204	VRS-CF1JP220JY	J	22 1/16W	Metal Oxide AC
R1208	VRS-CY1JF101J	J	100 1/16W	Metal Oxide AA
R1209	VRS-CA1JF220J	J	22 1/16W	Metal Oxide AA
R1210	VRS-CY1JF220J	J	22 1/16W	Metal Oxide AA
R1211	VRS-CY1JF221J	J	220 1/16W	Metal Oxide AA
R1212	VRS-CY1JF000J	J	0 1/16W	Metal Oxide AA
R1214	VRS-CB1JF101J	J	100 1/16W	Metal Oxide AA
R1217	VRS-CY1JF101J	J	100 1/16W	Metal Oxide AA
R1218	VRS-CA1JF101J	J	100 1/16W	Metal Oxide AA
R1220	VRS-CY1JF472J	J	4.7k 1/16W	Metal Oxide AA
R1221	VRS-CB1JF332J	J	3.3k 1/16W	Metal Oxide AC
R1222	VRS-CB1JF000J	J	0 1/16W	Metal Oxide AC
R1223	VRS-CA1JF101J	J	100 1/16W	Metal Oxide AA
R1225	VRS-CY1JF472J	J	4.7k 1/16W	Metal Oxide AA
R1226	VRS-CY1JF101J	J	100 1/16W	Metal Oxide AA
R1228	VRS-TX2HF330J	J	33 1/2W	Metal Oxide AA
R1230	VRS-TV1JD562J	J	5.6k 1/16W	Metal Oxide AA
R1231	VRS-CY1JF000J	J	0 1/16W	Metal Oxide AA
R1232	VRS-CY1JF101J	J	100 1/16W	Metal Oxide AA
R1233	VRS-CY1JF101J	J	100 1/16W	Metal Oxide AA
R1234	VRS-CY1JF472J	J	4.7k 1/16W	Metal Oxide AA
R1237	VRS-TX2HF472J	J	4.7k 1/2W	Metal Oxide AA
R1238	VRS-CY1JF101J	J	100 1/16W	Metal Oxide AA
R1240	VRS-CY1JF000J	J	0 1/16W	Metal Oxide AA
R1243	VRS-CY1JF1R0J	J	1.0 1/16W	Metal Oxide AA
R1245	VRS-CY1JF272J	J	2.7k 1/16W	Metal Oxide AA
R1246	VRS-CY1JF272J	J	2.7k 1/16W	Metal Oxide AA
R1247	VRS-CY1JF682J	J	6.8k 1/16W	Metal Oxide AA
R1248	VRS-CY1JF562J	J	5.6k 1/16W	Metal Oxide AA
R1249	VRS-CY1JF103J	J	10k 1/16W	Metal Oxide AA
R1250	VRS-CY1JF000J	J	0 1/16W	Metal Oxide AA
R1251	VRS-CY1JF000J	J	0 1/16W	Metal Oxide AA
R1252	VRS-CY1JF000J	J	0 1/16W	Metal Oxide AA
R1259	VRS-CY1JF000J	J	0 1/16W	Metal Oxide AA
R2001	VRS-CY1JF102J	J	1.0k 1/16W	Metal Oxide AA
R2002	VRS-CY1JF101J	J	100 1/16W	Metal Oxide AA
R2003	VRS-CA1JF223J	J	22k 1/16W	Metal Oxide AA
R2004	VRS-CY1JF000J	J	0 1/16W	Metal Oxide AA
R2006	VRS-CY1JF000J	J	0 1/16W	Metal Oxide AA
R2007	VRS-CY1JF223J	J	22k 1/16W	Metal Oxide AA
R2008	VRS-CY1JF101J	J	100 1/16W	Metal Oxide AA
R2009	VRS-CY1JF102J	J	1.0k 1/16W	Metal Oxide AA
R2010	VRS-CA1JF101J	J	100 1/16W	Metal Oxide AA
R2011	VRS-CB1JF101J	J	100 1/16W	Metal Oxide AA
R2012	VRS-CA1JF101J	J	100 1/16W	Metal Oxide AA
R2013	VRS-CA1JF223J	J	22k 1/16W	Metal Oxide AA
R2014	VRS-CA1JF101J	J	100 1/16W	Metal Oxide AA
R2015	VRS-CB1JF100J	J	10 1/16W	Metal Oxide AA
R2017	VRS-CA1JF102J	J	1.0k 1/16W	Metal Oxide AA
R2018	VRS-CY1JF101J	J	100 1/16W	Metal Oxide AA
R2019	VRS-CY1JF471J	J	470 1/16W	Metal Oxide AA
R2020	VRS-CY1JF105J	J	1M 1/16W	Metal Oxide AA
R2021	VRS-CY1JF101J	J	100 1/16W	Metal Oxide AA
R2022	VRS-CB1JF101J	J	100 1/16W	Metal Oxide AA
R2025	VRS-CY1JF101J	J	100 1/16W	Metal Oxide AA
R2026	VRS-CY1JF101J	J	100 1/16W	Metal Oxide AA
R2027	VRS-CY1JF223J	J	22k 1/16W	Metal Oxide AA
R2028	VRS-CB1JF101J	J	100 1/16W	Metal Oxide AA
R2029	VRS-CY1JF223J	J	22k 1/16W	Metal Oxide AA
R2030	VRS-CA1JF333J	J	33k 1/16W	Metal Oxide AA

Ref. No.	Part No.	★	Description	Code
----------	----------	---	-------------	------

**DUNTKB148FE55  
MAIN UNIT (Continued)**

R2031	VRS-CY1JF000J	J 0	1/16W Metal Oxide	AA
R2032	VRS-CY1JF000J	J 0	1/16W Metal Oxide	AA
R2033	VRS-CB1JF101J	J 100	1/16W Metal Oxide	AA
R2035	VRS-CY1JF393J	J 39k	1/16W Metal Oxide	AA
R2036	VRS-CY1JF101J	J 100	1/16W Metal Oxide	AA
R2037	VRS-CY1JF101J	J 100	1/16W Metal Oxide	AA
R2038	VRS-CY1JF103J	J 10k	1/16W Metal Oxide	AA
R2039	VRS-CA1JF103J	J 10k	1/16W Metal Oxide	AA
R2041	VRS-CY1JF101J	J 100	1/16W Metal Oxide	AA
R2042	VRS-CY1JF101J	J 100	1/16W Metal Oxide	AA
R2043	VRS-CY1JF472J	J 4.7k	1/16W Metal Oxide	AA
R2044	VRS-CY1JF472J	J 4.7k	1/16W Metal Oxide	AA
R2052	VRS-CY1JF223J	J 22k	1/16W Metal Oxide	AA
R2064	VRS-CY1JF223J	J 22k	1/16W Metal Oxide	AA
R2068	VRS-CY1JF101J	J 100	1/16W Metal Oxide	AA
R2072	VRS-CY1JF101J	J 100	1/16W Metal Oxide	AA
R2078	VRS-CY1JF223J	J 22k	1/16W Metal Oxide	AA
R3700	VRS-CY1JF472J	J 4.7k	1/16W Metal Oxide	AA
R3701	VRS-TW2ED1R0J	J 1.0	1/4W Metal Oxide	AB
R3702	VRS-TW2ED102J	J 1.0k	1/4W Metal Oxide	AA
R3703	VRS-CY1JF274J	J 270k	1/16W Metal Oxide	AA
R3704	VRS-CY1JF133F	J 13k	1/16W Metal Oxide	AA
R3705	VRS-CY1JF184J	J 180k	1/16W Metal Oxide	AA
R3706	VRS-CY1JF100J	J 10	1/16W Metal Oxide	AA
R3707	VRS-CY1JF105J	J 1M	1/16W Metal Oxide	AA
R3708	VRS-CY1JF682J	J 6.8k	1/16W Metal Oxide	AA
R3709	VRS-CY1JF272F	J 2.7k	1/16W Metal Oxide	AA
R3710	VRS-CY1JF123F	J 12k	1/16W Metal Oxide	AA
R3711	VRS-CY1JF152F	J 1.5k	1/16W Metal Oxide	AA
R3712	VRS-CY1JF683F	J 68k	1/16W Metal Oxide	AA
R3713	VRS-CY1JF563F	J 56k	1/16W Metal Oxide	AA
R3714	VRS-CY1JF473J	J 47k	1/16W Metal Oxide	AA
R3715	VRS-CY1JF103J	J 10k	1/16W Metal Oxide	AA
R3716	VRS-TX2HF000J	J 0	1/2W Metal Oxide	AA
R3718	VRS-CE3AF821JY	J 820	1W Metal Oxide	AC
R3721	VRS-CY1JF000J	J 0	1/16W Metal Oxide	AA
R3722	VRS-CY1JF000J	J 0	1/16W Metal Oxide	AA
R3724	VRS-CY1JF1R0J	J 1.0	1/16W Metal Oxide	AA
R3725	VRS-CY1JF000J	J 0	1/16W Metal Oxide	AA
R3726	VRS-TQ2BD683J	J 68k	1/8W Metal Oxide	AA
R3727	VRS-CY1JF000J	J 0	1/16W Metal Oxide	AA
R3728	VRS-CY1JF393J	J 39k	1/16W Metal Oxide	AA
R3729	VRS-CY1JF000J	J 0	1/16W Metal Oxide	AA
R3730	VRS-CY1JF223J	J 22k	1/16W Metal Oxide	AA
R3731	VRS-CY1JF222J	J 2.2k	1/16W Metal Oxide	AA
R3732	VRS-CY1JF000J	J 0	1/16W Metal Oxide	AA
R3733	VRS-CY1JF102J	J 1.0k	1/16W Metal Oxide	AA
R3734	VRS-CY1JF103F	J 10k	1/16W Metal Oxide	AA
R3735	VRS-CY1JF123F	J 12k	1/16W Metal Oxide	AA
R3736	VRS-CY1JF223F	J 22k	1/16W Metal Oxide	AA
R3737	VRS-CY1JF103J	J 10k	1/16W Metal Oxide	AA
R3738	VRS-CY1JF103F	J 10k	1/16W Metal Oxide	AA
R3739	VRS-CY1JF622F	J 6.2k	1/16W Metal Oxide	AA
R3740	VRS-CY1JF473F	J 47k	1/16W Metal Oxide	AA
R3741	VRS-CY1JF113F	J 11k	1/16W Metal Oxide	AA
R3742	VRS-CY1JF182F	J 1.8k	1/16W Metal Oxide	AA
R3743	VRS-CY1JF122F	J 1.2k	1/16W Metal Oxide	AA
R3745	VRS-CY1JF682F	J 6.8k	1/16W Metal Oxide	AA
R3746	VRS-CY1JF122F	J 1.2k	1/16W Metal Oxide	AA
R3749	VRS-CY1JF102J	J 1.0k	1/16W Metal Oxide	AA
R3750	VRS-CY1JF391J	J 390	1/16W Metal Oxide	AA
R3751	VRS-TV1JD103J	J 10k	1/16W Metal Oxide	AA
R3752	VRS-CY1JF102J	J 1.0k	1/16W Metal Oxide	AA
R3759	VRS-TW2ED102J	J 1.0k	1/4W Metal Oxide	AA
R3762	VRS-TW2ED561J	J 560	1/4W Metal Oxide	AA
R3766	VRS-CY1JF472J	J 4.7k	1/16W Metal Oxide	AA
R7003	VRS-CY1JF000J	J 0	1/16W Metal Oxide	AA
R7018	VRS-CY1JF000J	J 0	1/16W Metal Oxide	AA
R7020	VRS-CB1JF000J	J 0	1/16W Metal Oxide	AC
R7021	VRS-CB1JF000J	J 0	1/16W Metal Oxide	AC
R7022	VRS-CB1JF000J	J 0	1/16W Metal Oxide	AC

Ref. No.	Part No.	★	Description	Code
----------	----------	---	-------------	------

R7023	VRS-CB1JF000J	J 0	1/16W Metal Oxide	AC
R7024	VRS-CA1JF000J	J 0	1/16W Metal Oxide	AB

**MISCELLANEOUS PARTS**

FB801	RBLN-0090CEZZ	J	Ferrite Bead	AD
FB802	RBLN-0090CEZZ	J	Ferrite Bead	AD
FB1201	RBLN-0090CEZZ	J	Ferrite Bead	AD
FB1202	RBLN-0006TAZZ	J	Ferrite Bead	AB
FB1203	RBLN-0076TAZZ	J	Ferrite Bead	AC
FB3700	RBLN-0095CEZZ	J	Ferrite Bead	AD
FB3701	RBLN-0095CEZZ	J	Ferrite Bead	AD
FB3704	RBLN-0051TAZZ	J	Ferrite Bead	AC
FB3705	RBLN-0051TAZZ	J	Ferrite Bead	AC
FB3706	RBLN-0254TAZZY	J	Ferrite Bead	AB
FB3707	RBLN-0254TAZZY	J	Ferrite Bead	AB
FB3708	RBLN-0051TAZZ	J	Ferrite Bead	AC
FB3709	RBLN-0095CEZZ	J	Ferrite Bead	AD
P2002	QPLGN1320REZZ	J	Plug, 13-pin(MC)	AC
P2003	QPLGN1258REZZ	J	Plug, 12-pin(MS)	AE
P3702	QPLGN1178GEZZ	J	Plug, 11-pin(MB)	AC
SC1201	QSOCNA002WJPZY	J	Socket, 20-pin(LK)	AD
SC1202	QSOCN0687FJZZY	J	Socket, 50-pin(LS)	AF
SC1203	QSOCN0206FJZZ	J	Socket, 30-pin(LG)	AF
SC2001	QSOCN0464FJZZ	J	Socket, 50-pin(MA)	AH
SC2002	QSOCN0487FJZZ	J	Socket, 20-pin(MT)	AE

**DUNTKB152DE02  
TUNER UNIT**
**TUNER**

**NOTE: THE PARTS HERE SHOWN ARE SUPPLIED AS AN ASSEMBLY BUT NOT INDEPENDENTLY.**

TU1	VTUVT4T5FD531	J	Tuner	BL
-----	---------------	---	-------	----

**INTEGRATED CIRCUITS**

IC304	VHiBH3543F+-1	J	BH3543F-E2	AE
IC1601	VHiSDA5550M-1Q	J	SDA5550M	AZ
IC1602	RH-iXA134WJN2Q	J	I.C.	AY
IC1603	VHi62S8308X-1Q	J	A62S8308X-70SI	AY
IC1604	VHiMM1501XN-1Y	J	MM1501XNRE	AE
IC1605	VHi7WH157FK-1Y	J	TC7WH157FK	AF
IC1606	VHiBA033FP/-1	J	BA033FP-E2	AG
IC1607	VHiPST9121N-1Y	J	IC-PST9121NR	AE
IC1608	VHiLVC157T+-1Y	J	SN74LVC157APWR	AF
IC1609	VHiLVC04AT+-1Y	J	SN74LVC04APWR	AE
IC1610	VHiBA05FP+-1Y	J	BA05FP	AF
IC1611	VHiPST9128N-1Y	J	IC-PST9128NR	AE
IC1612	VHiNC7SZ08P-1Y	J	I.C.	AD
IC1613	VHiBA025FP+-1Y	J	BA25BC0FP	AG
IC1614	VHiTCVHC08T-1Y	J	TC74VHC08FT	AF
IC1615	VHi74LVX86T-1Y	J	TC74LVX86FT	AF
IC1616	VHiNC7SZ58P-1Y	J	NC7SZ58P6X	AE
IC1619	VHiTK15420/-1	J	TK15420MTL	AG
IC1620	VHiTK15420/-1	J	TK15420MTL	AG
IC1901	RH-iX3371CEZZ	J	MSP3410G-QA-B5	BD
IC1902	VHiNJM4560M-1	J	NJM4560M	AG
IC1903	VHiNJM4560M-1	J	NJM4560M	AG
IC2200	VHiMM1506XN-1	J	MM1506XNRE	AE
IC3101	VHiBU4053V/-1	J	BU4053BCFV-E2	AE
IC3305	VHiLA4635A+-1S	J	LA4635A	AM
IC3500	VHiNJM4560M-1	J	NJM4560M	AG

**TRANSISTORS**

Q302	VS2TC144EKA-1	J	DTC144EKA	AB
Q1606	VS2SC3928AR-1	J	2SC3928AR	AB
Q1607	VS2SA1530AR-1	J	2SA1530AR	AB
Q1608	VS2TC144TE/-1	J	DTC144TE	AB
Q1612	VS2SA1530AR-1	J	2SA1530AR	AB
Q1631	VS2SC3928AR-1	J	2SC3928AR	AB
Q1632	VS2SC3928AR-1	J	2SC3928AR	AB
Q1633	VS2SC3928AR-1	J	2SC3928AR	AB
Q2200	VS2SC3928AR-1	J	2SC3928AR	AB
Q2201	VS2SC3928AR-1	J	2SC3928AR	AB

Ref. No.	Part No.	★	Description	Code
----------	----------	---	-------------	------

**DUNTKB152DE02  
TUNER UNIT**

Q2202	VS2SC3928AR-1	J	2SC3928AR	AB
Q2203	VS2SC3928AR-1	J	2SC3928AR	AB
Q2204	VS2SC3928AR-1	J	2SC3928AR	AB
Q2205	VS2SC3928AR-1	J	2SC3928AR	AB
Q3010	VS2SA1530AR-1	J	2SA1530AR	AB
Q3304	VSDTC314TK/-1	J	DTC314TK	AC
Q3305	VSDTC314TK/-1	J	DTC314TK	AC
Q3306	VS2SC3928AR-1	J	2SC3928AR	AB
Q3307	VSDTC314TK/-1	J	DTC314TK	AC
Q3308	VSDTA144EE/-1	J	DTA144EE	AA
Q3600	VSUPA606T//1	J	UPA606T	AD
Q3601	VSUPA606T//1	J	UPA606T	AD
Q3650	VSDTC114YE/-1	J	DTC114YE	AB
Q3906	VSDTC314TK/-1	J	DTC314TK	AC
Q3907	VSDTC314TK/-1	J	DTC314TK	AC
Q3908	VSDTC314TK/-1	J	DTC314TK	AC
Q3909	VSDTC314TK/-1	J	DTC314TK	AC
Q3910	VS2SC3928AR-1	J	2SC3928AR	AB
Q3911	VS2SA1530AR-1	J	2SA1530AR	AB

**DIODES**

D301	VHDM3120WA-1	J	Diode	AK
D302	VHDM3120WA-1	J	Diode	AK
D303	VHDDAN222//1	J	Diode	AA
D2200	RH-EX1264CEZZ	J	Zener Diode	AB
D2201	RH-EX0906CEZZ	J	Zener Diode	AD
D3301	VHDDAN222//1	J	Diode	AA
D3302	RH-EX1396CEZZY	J	Zener Diode	AB
D3403	RH-EX1271CEZZ	J	Zener Diode	AB
D3404	RH-EX1271CEZZ	J	Zener Diode	AB
D3412	RH-EX1271CEZZ	J	Zener Diode	AB
D3493	RH-EX1271CEZZ	J	Zener Diode	AB
D3600	VHDI1MN10///-1	J	Diode	AB
D3601	VHDI1MN10///-1	J	Diode	AB
D3604	VHDI1MN10///-1	J	Diode	AB
D3605	VHDI1MN10///-1	J	Diode	AB
D3902	RH-EX1247CEZZY	J	Zener Diode	AB
D3905	VHDDAN222//1	J	Diode	AA
D3908	RH-EX1247CEZZY	J	Zener Diode	AB
D3911	RH-EX1271CEZZ	J	Zener Diode	AB
D3912	VHDDAN222//1	J	Diode	AA
D5701	RH-EX1271CEZZ	J	Zener Diode	AB

**PACKAGED CIRCUITS**

X1601	RCRSB0202GEZZ	J	Crystal	AG
X1901	RCRSB0250GEZZ	J	Crystal	AG

**COILS**

L1601	VP-1M270J3R8N	J	Peaking 27μH	AC
L1901	VP-1M4R7J1R2N	J	Peaking 4.7μH	AB
L1902	VP-1M101J7R7N	J	Peaking 100μH	AC
L2200	VP-1M4R7J1R2N	J	Peaking 4.7μH	AB
L2201	VP-1M2R7JR85NY	J	Peaking 2.7μH	AB
L2202	VP-1M4R7J1R2N	J	Peaking 4.7μH	AB
L2203	VP-1M3R3JR93N	J	Peaking 3.3μH	AB
L2204	VP-1M5R6J1R2NY	J	Peaking 5.6μH	AB
L2205	VP-1M3R3JR93N	J	Peaking 3.3μH	AB
L2206	VP-1M4R7J1R2N	J	Peaking 4.7μH	AB
L2207	VP-1M2R7JR85NY	J	Peaking 2.7μH	AB
L2208	VP-1M4R7J1R2N	J	Peaking 4.7μH	AB
L2210	VP-1M100J1R6N	J	Peaking 10μH	AC
L3202	RCILC0141CEZZ	J	Coil	AF

**CAPACITORS**

C334	VCKYTV1CF105Z	J	1.0 16V Ceramic	AB
C335	VCKYCY1HB682K	J	6800p 50V Ceramic	AA
C336	VCKYCY1HB682K	J	6800p 50V Ceramic	AA
C338	VCKYTV1CF105Z	J	1.0 16V Ceramic	AB
C339	VCEAPF0JW476M	J	47 6.3V Electrolytic	AB
C340	RC-KZ1025CEZZ	J	1.0 10V Ceramic	AB
C341	VCEAPF1CW476M	J	47 16V Electrolytic	AC

Ref. No.	Part No.	★	Description	Code
----------	----------	---	-------------	------

C342	VCEAPF1CW476M	J	47 16V Electrolytic	AC
C343	VCEAPF1HW225M	J	2.2 50V Electrolytic	AB
C344	VCEAPF1CW106M	J	10 16V Electrolytic	AB
C1601	VCEAPF0JW107M	J	100 6.3V Electrolytic	AC
C1602	VCKYCY1EF104Z	J	0.1 25V Ceramic	AA
C1603	VCKYCY1HB103K	J	0.01 50V Ceramic	AA
C1604	VCKYCY1HB103K	J	0.01 50V Ceramic	AA
C1605	VCE9PF0JW226M	J	22 6.3V Elect. (N.P)	AD
C1606	VCEAPF1EW106M	J	10 25V Electrolytic	AB
C1608	RC-KZ1025CEZZ	J	1.0 10V Ceramic	AB
C1609	VCKYCY1CF334Z	J	0.33 16V Ceramic	AA
C1610	VCKYCY1EF104Z	J	0.1 25V Ceramic	AA
C1611	VCEAPF0JW476M	J	47 6.3V Electrolytic	AB
C1612	VCEAPF1CW106M	J	10 16V Electrolytic	AB
C1613	VCEAPF1CW226M	J	22 16V Electrolytic	AB
C1614	VCEAPF0JW107M	J	100 6.3V Electrolytic	AC
C1616	VCCCCY1HH181J	J	180p 50V Ceramic	AA
C1617	VCEAPF0JW226M	J	22 6.3V Electrolytic	AB
C1618	VCEAPF0JW476M	J	47 6.3V Electrolytic	AB
C1619	VCKYCY1EF104Z	J	0.1 25V Ceramic	AA
C1621	VCKYCY1EF104Z	J	0.1 25V Ceramic	AA
C1622	VCKYCY1EF104Z	J	0.1 25V Ceramic	AA
C1623	VCE9PF0JW226M	J	22 6.3V Elect. (N.P)	AD
C1624	VCKYCY1EF104Z	J	0.1 25V Ceramic	AA
C1625	VCKYCY1EF104Z	J	0.1 25V Ceramic	AA
C1626	VCKYCY1EF104Z	J	0.1 25V Ceramic	AA
C1627	VCKYTV1CF105Z	J	1.0 16V Ceramic	AB
C1628	VCKYCY1EF104Z	J	0.1 25V Ceramic	AA
C1631	VCKYCY1EF104Z	J	0.1 25V Ceramic	AA
C1633	VCCCCY1HH330J	J	33p 50V Ceramic	AA
C1634	VCCCCY1HH330J	J	33p 50V Ceramic	AA
C1635	VCKYCY1EF104Z	J	0.1 25V Ceramic	AA
C1636	VCKYCY1EF104Z	J	0.1 25V Ceramic	AA
C1637	VCKYCY1EF104Z	J	0.1 25V Ceramic	AA
C1638	VCKYCY1EF104Z	J	0.1 25V Ceramic	AA
C1639	VCKYCY1EF104Z	J	0.1 25V Ceramic	AA
C1640	VCKYCY1EF104Z	J	0.1 25V Ceramic	AA
C1641	VCEAPF0JW226M	J	22 6.3V Electrolytic	AB
C1642	VCKYCY1EF104Z	J	0.1 25V Ceramic	AA
C1644	VCKYCY1EF104Z	J	0.1 25V Ceramic	AA
C1645	VCKYCY1EF104Z	J	0.1 25V Ceramic	AA
C1646	VCKYCY1EF104Z	J	0.1 25V Ceramic	AA
C1647	VCKYCY1CF334Z	J	0.33 16V Ceramic	AA
C1648	VCKYCY1EF104Z	J	0.1 25V Ceramic	AA
C1649	VCKYCY1EF104Z	J	0.1 25V Ceramic	AA
C1650	VCKYCY1EF104Z	J	0.1 25V Ceramic	AA
C1653	VCKYCY1EF104Z	J	0.1 25V Ceramic	AA
C1655	VCE9PF0JN226MY	J	22 6.3V Elect. (N.P)	AD
C1656	VCE9PF0JN226MY	J	22 6.3V Elect. (N.P)	AD
C1657	VCE9PF0JN226MY	J	22 6.3V Elect. (N.P)	AD
C1658	VCKYCY1EF104Z	J	0.1 25V Ceramic	AA
C1659	VCKYCY1EF104Z	J	0.1 25V Ceramic	AA
C1660	VCKYCY1EF104Z	J	0.1 25V Ceramic	AA
C1661	VCEAPF1CW107M	J	100 16V Electrolytic	AD
C1662	VCEAPF0JW107M	J	100 6.3V Electrolytic	AC
C1663	VCEAPF1CW106M	J	10 16V Electrolytic	AB
C1664	VCEAPF1CW106M	J	10 16V Electrolytic	AB
C1665	VCEAPF1CW106M	J	10 16V Electrolytic	AB
C1666	VCKYCY1HB561K	J	560p 50V Ceramic	AA
C1667	VCKYCY1HB561K	J	560p 50V Ceramic	AA
C1668	VCKYCY1HB561K	J	560p 50V Ceramic	AA
C1900	VCKYCY1EF104Z	J	0.1 25V Ceramic	AA
C1901	VCKYCY1HB102K	J	1000p 50V Ceramic	AA
C1902	VCKYCY1HB102K	J	1000p 50V Ceramic	AA
C1903	VCKYCY1HB472K	J	4700p 50V Ceramic	AA
C1904	VCKYCY1HB223K	J	0.022 50V Ceramic	AB
C1905	VCKYCY1HB682K	J	6800p 50V Ceramic	AA
C1906	VCKYCY1HB682K	J	6800p 50V Ceramic	AA
C1907	VCEAPF1CW106M	J	10 16V Electrolytic	AB
C1908	VCEAPF1CW106M	J	10 16V Electrolytic	AB
C1909	VCKYCY1EF104Z	J	0.1 25V Ceramic	AA
C1910	RC-EZ0417CEZZ	J	150 16V Electrolytic	AD
C1911	VCEAPF1HW335M	J	3.3 50V Electrolytic	AB
C1912	VCKYCY1EF104Z	J	0.1 25V Ceramic	AA
C1913	RC-KZ1025CEZZ	J	1.0 10V Ceramic	AB

Ref. No.	Part No.	★	Description	Code	Ref. No.	Part No.	★	Description	Code		
<b>DUNTKB152DE02 TUNER UNIT (Continued)</b>											
C1914	RC-KZ1025CEZZ	J	1.0	10V Ceramic	AB	C3363	VCEAPF1HW225M	J	2.2	50V Electrolytic	AB
C1915	RC-KZ1025CEZZ	J	1.0	10V Ceramic	AB	C3364	VCEAPF1HW105M	J	1.0	50V Electrolytic	AB
C1916	RC-KZ1025CEZZ	J	1.0	10V Ceramic	AB	C3365	VCKYCY1HB102K	J	1000p	50V Ceramic	AA
C1917	VCKYCY1EF104Z	J	0.1	25V Ceramic	AA	C3366	VCEAPF1HW225M	J	2.2	50V Electrolytic	AB
C1918	VCEAPF1CW106M	J	10	16V Electrolytic	AB	C3367	VCEAPF1CW106M	J	10	16V Electrolytic	AB
C1919	RC-KZ1025CEZZ	J	1.0	10V Ceramic	AB	C3368	VCEAPF1CW106M	J	10	16V Electrolytic	AB
C1920	VCCCCY1HH560J	J	56p	50V Ceramic	AA	C3369	RC-EZ1274CEZZ	J	1000	16V Electrolytic	AD
C1921	VCCCCY1HH560J	J	56p	50V Ceramic	AA	C3370	VCKYTV1CF105Z	J	1.0	16V Ceramic	AB
C1922	VCCCCY1HH560J	J	56p	50V Ceramic	AA	C3371	RC-EZ1274CEZZ	J	1000	16V Electrolytic	AD
C1923	VCCCCY1HH5R0C	J	5.0p	50V Ceramic	AA	C3372	RC-EZ1274CEZZ	J	1000	16V Electrolytic	AD
C1924	VCCCCY1HH5R0C	J	5.0p	50V Ceramic	AA	C3373	RC-EZ1274CEZZ	J	1000	16V Electrolytic	AD
C1925	VCKYCY1EF104Z	J	0.1	25V Ceramic	AA	C3500	VCKYCY1HB682K	J	6800p	50V Ceramic	AA
C1926	RC-EZ0417CEZZ	J	150	16V Electrolytic	AD	C3501	VCKYCY1HB682K	J	6800p	50V Ceramic	AA
C1928	RC-EZ0417CEZZ	J	150	16V Electrolytic	AD	C3502	VCKYTV1CF105Z	J	1.0	16V Ceramic	AB
C1929	RC-EZ0417CEZZ	J	150	16V Electrolytic	AD	C3503	VCKYTV1CF105Z	J	1.0	16V Ceramic	AB
C1930	VCKYCY1EF104Z	J	0.1	25V Ceramic	AA	C3504	VCEAPF1CW106M	J	10	16V Electrolytic	AB
C1931	VCKYCY1HB561K	J	560p	50V Ceramic	AA	C3505	VCEAPF1EW475M	J	4.7	25V Electrolytic	AB
C1932	VCKYCY1HB561K	J	560p	50V Ceramic	AA	C3506	VCEAPF1EW475M	J	4.7	25V Electrolytic	AB
C1933	VCKYCY1HB472K	J	4700p	50V Ceramic	AA	C3507	VCKYCY1EF104Z	J	0.1	25V Ceramic	AA
C1935	RC-EZ1339CEZZ	J	220	16V Electrolytic	AD	C3508	RC-EZ0417CEZZ	J	150	16V Electrolytic	AD
C1936	VCEAPF1HW225M	J	2.2	50V Electrolytic	AB	C3517	VCKYCY1EB223K	J	0.022	25V Ceramic	AA
C1937	VCEAPF1HW225M	J	2.2	50V Electrolytic	AB	C3518	VCKYCY1EB223K	J	0.022	25V Ceramic	AA
C1938	VCEAPF1CW106M	J	10	16V Electrolytic	AB	C3525	VCCCCY1HH101J	J	100p	50V Ceramic	AA
C1939	VCKYTV1CF105Z	J	1.0	16V Ceramic	AB	C3526	VCCCCY1HH101J	J	100p	50V Ceramic	AA
C1940	VCKYTV1CF105Z	J	1.0	16V Ceramic	AB	C3600	VCKYTQ1EF105Z	J	1.0	25V Ceramic	AD
C1941	VCEAPF1EW475M	J	4.7	25V Electrolytic	AB	C3601	VCKYTQ1EF105Z	J	1.0	25V Ceramic	AD
C1942	VCEAPF1EW475M	J	4.7	25V Electrolytic	AB	C3602	VCKYTQ1EF105Z	J	1.0	25V Ceramic	AD
C1943	VCKYCY1HB102K	J	1000p	50V Ceramic	AA	C3603	VCKYTQ1EF105Z	J	1.0	25V Ceramic	AD
C1944	VCKYCY1HB102K	J	1000p	50V Ceramic	AA	C3900	VCCCCY1HH221J	J	220p	50V Ceramic	AA
C1945	VCKYCY1HB102K	J	1000p	50V Ceramic	AA	C3901	VCCCCY1HH221J	J	220p	50V Ceramic	AA
C1946	VCKYCY1HB102K	J	1000p	50V Ceramic	AA	C3902	VCCCCY1HH221J	J	220p	50V Ceramic	AA
C1947	VCKYTV1CF105Z	J	1.0	16V Ceramic	AB	C3903	VCCCCY1HH221J	J	220p	50V Ceramic	AA
C1948	VCKYCY1HB223K	J	0.022	50V Ceramic	AB	C3954	VCEAPF1CW106M	J	10	16V Electrolytic	AB
C1960	VCCCCY1HH101J	J	100p	50V Ceramic	AA	C3955	VCEAPF1CW106M	J	10	16V Electrolytic	AB
C1961	VCCCCY1HH101J	J	100p	50V Ceramic	AA	C3956	VCCCCY1HH101J	J	100p	50V Ceramic	AA
C2200	VCEAPW1CN477M	J	470	16V Electrolytic	AE	C3957	VCCCCY1HH101J	J	100p	50V Ceramic	AA
C2201	VCKYCY1HB103K	J	0.01	50V Ceramic	AA	C3958	VCEAPF1CW106M	J	10	16V Electrolytic	AB
C2202	VCCCCY1HH560J	J	56p	50V Ceramic	AA	C3959	VCEAPF1CW106M	J	10	16V Electrolytic	AB
C2203	VCCCCY1HH560J	J	56p	50V Ceramic	AA	C3960	VCEAPF1CW106M	J	10	16V Electrolytic	AB
C2204	VCCCCY1HH271J	J	270p	50V Ceramic	AA	C3961	VCEAPF1CW476M	J	47	16V Electrolytic	AC
C2205	VCCCCY1HH121J	J	120p	50V Ceramic	AA	C3962	VCEAPF1CW476M	J	47	16V Electrolytic	AC
C2206	VCCCCY1HH820J	J	82p	50V Ceramic	AA	C3995	VCKYCY1EF104Z	J	0.1	25V Ceramic	AA
C2207	VCCCCY1HH180J	J	18p	50V Ceramic	AA	C5001	VCKYCY1HB222K	J	2200p	50V Ceramic	AA
C2208	VCCCCY1HH151J	J	150p	50V Ceramic	AA	C5002	VCKYCY1HB222K	J	2200p	50V Ceramic	AA
C2209	VCCCCY1HH121J	J	120p	50V Ceramic	AA	<b>RESISTORS</b>					
C2210	VCKYCY1HB103K	J	0.01	50V Ceramic	AA	R345	VRS-CY1JF000J	J	0	1/16W Metal Oxide	AA
C2211	VCEAPF1CW476M	J	47	16V Electrolytic	AC	R346	VRS-CY1JF000J	J	0	1/16W Metal Oxide	AA
C2212	VCKYCY1EF104Z	J	0.1	25V Ceramic	AA	R347	VRS-CY1JF000J	J	0	1/16W Metal Oxide	AA
C2213	VCKYCY1EF104Z	J	0.1	25V Ceramic	AA	R350	VRS-CY1JF392J	J	3.9k	1/16W Metal Oxide	AA
C2214	VCEAPF0JW107M	J	100	6.3V Electrolytic	AC	R351	VRS-CY1JF392J	J	3.9k	1/16W Metal Oxide	AA
C2215	VCCCCY1HH101J	J	100p	50V Ceramic	AA	R352	VRS-CY1JF000J	J	0	1/16W Metal Oxide	AA
C2216	VCCCCY1HH101J	J	100p	50V Ceramic	AA	R353	VRS-CY1JF102J	J	1.0k	1/16W Metal Oxide	AA
C2217	VCEAPW0JN477M	J	470	6.3V Electrolytic	AE	R354	VRS-CY1JF472J	J	4.7k	1/16W Metal Oxide	AA
C2218	VCKYCY1EF104Z	J	0.1	25V Ceramic	AA	R355	VRS-CY1JF000J	J	0	1/16W Metal Oxide	AA
C2219	VCKYCY1HF103Z	J	0.01	50V Ceramic	AA	R358	VRS-CY1JF123J	J	12k	1/16W Metal Oxide	AA
C2220	VCKYCY1HB102K	J	1000p	50V Ceramic	AA	R1602	VRS-CY1JF202J	J	2.0k	1/16W Metal Oxide	AA
C2221	VCKYCY1EF104Z	J	0.1	25V Ceramic	AA	R1603	VRS-CY1JF202J	J	2.0k	1/16W Metal Oxide	AA
C2222	VCEAPF1CW106M	J	10	16V Electrolytic	AB	R1605	VRS-CY1JF332J	J	3.3k	1/16W Metal Oxide	AA
C2223	VCKYCY1EF104Z	J	0.1	25V Ceramic	AA	R1609	VRS-CY1JF681J	J	680	1/16W Metal Oxide	AA
C2224	VCKYCY1HB103K	J	0.01	50V Ceramic	AA	R1610	VRS-TX2HF2R2J	J	2.2	1/2W Metal Oxide	AB
C2225	VCEAPF1HW105M	J	1.0	50V Electrolytic	AB	R1613	VRS-CY1JF132J	J	1.3k	1/16W Metal Oxide	AA
C2226	VCKYCY1EF104Z	J	0.1	25V Ceramic	AA	R1618	VRS-CY1JF000J	J	0	1/16W Metal Oxide	AA
C2227	VCKYCY1EF104Z	J	0.1	25V Ceramic	AA	R1620	VRS-CY1JF223J	J	22k	1/16W Metal Oxide	AA
C2228	VCE9PF1CW106M	J	10	16V Elect. (N.P)	AC	R1621	VRS-CY1JF223J	J	22k	1/16W Metal Oxide	AA
C2229	VCCCCY1HH331J	J	330p	50V Ceramic	AA	R1622	VRS-CY1JF000J	J	0	1/16W Metal Oxide	AA
C3201	VCKYCY1EF104Z	J	0.1	25V Ceramic	AA	R1626	VRS-CY1JF102J	J	1.0k	1/16W Metal Oxide	AA
C3202	RC-EZ1351CEZZ	J	3300	6.3V Electrolytic	AF	R1627	VRS-CY1JF102F	J	1.0k	1/16W Metal Oxide	AA
C3359	VCEAPF1CW106M	J	10	16V Electrolytic	AB	R1628	VRS-CY1JF681F	J	680	1/16W Metal Oxide	AA
C3360	VCEAPF1CW107M	J	100	16V Electrolytic	AD	R1629	VRS-CY1JF681F	J	680	1/16W Metal Oxide	AA
C3361	VCEAPF1HW105M	J	1.0	50V Electrolytic	AB	R1630	VRS-CY1JF102F	J	1.0k	1/16W Metal Oxide	AA
C3362	VCKYCY1HB102K	J	1000p	50V Ceramic	AA	R1631	VRS-CY1JF472F	J	4.7k	1/16W Metal Oxide	AA
						R1632	VRS-CY1JF472F	J	4.7k	1/16W Metal Oxide	AA
						R1633	VRS-CY1JF472F	J	4.7k	1/16W Metal Oxide	AA
						R1636	VRS-CY1JF333J	J	33k	1/16W Metal Oxide	AA

**DUNTKB152DE02  
TUNER UNIT (Continued)**

Ref. No.	Part No.	★	Description	Code
R1637	VRS-CY1JF103J	J	10k 1/16W Metal Oxide	AA
R1638	VRS-CY1JF332F	J	3.3k 1/16W Metal Oxide	AA
R1639	VRS-CY1JF152F	J	1.5k 1/16W Metal Oxide	AA
R1642	VRS-CY1JF221J	J	220 1/16W Metal Oxide	AA
R1643	VRS-CY1JF333J	J	33k 1/16W Metal Oxide	AA
R1644	VRS-CY1JF393F	J	39k 1/16W Metal Oxide	AA
R1650	VRS-CY1JF332J	J	3.3k 1/16W Metal Oxide	AA
R1651	VRS-CY1JF561J	J	560 1/16W Metal Oxide	AA
R1652	VRS-CY1JF561J	J	560 1/16W Metal Oxide	AA
R1653	VRS-CY1JF000J	J	0 1/16W Metal Oxide	AA
R1655	VRS-CY1JF221J	J	220 1/16W Metal Oxide	AA
R1656	VRS-CY1JF221J	J	220 1/16W Metal Oxide	AA
R1659	VRS-CY1JF222J	J	2.2k 1/16W Metal Oxide	AA
R1661	VRS-CY1JF223J	J	22k 1/16W Metal Oxide	AA
R1662	VRS-CY1JF000J	J	0 1/16W Metal Oxide	AA
R1663	VRS-CY1JF000J	J	0 1/16W Metal Oxide	AA
R1664	VRS-CY1JF000J	J	0 1/16W Metal Oxide	AA
R1665	VRS-CY1JF000J	J	0 1/16W Metal Oxide	AA
R1668	VRS-CY1JF332J	J	3.3k 1/16W Metal Oxide	AA
R1669	VRS-CB1JF332J	J	3.3k 1/16W Metal Oxide	AC
R1670	VRS-CY1JF473J	J	47k 1/16W Metal Oxide	AA
R1671	VRS-CY1JF183F	J	18k 1/16W Metal Oxide	AA
R1675	VRS-CY1JF332J	J	3.3k 1/16W Metal Oxide	AA
R1683	VRS-CY1JF000J	J	0 1/16W Metal Oxide	AA
R1684	VRS-CY1JF333F	J	33k 1/16W Metal Oxide	AA
R1685	VRS-CY1JF101J	J	100 1/16W Metal Oxide	AA
R1686	VRS-CY1JF472F	J	4.7k 1/16W Metal Oxide	AA
R1687	VRS-CY1JF473J	J	47k 1/16W Metal Oxide	AA
R1688	VRS-CY1JF223F	J	22k 1/16W Metal Oxide	AA
R1689	VRS-CY1JF473J	J	47k 1/16W Metal Oxide	AA
R1690	VRS-CY1JF183F	J	18k 1/16W Metal Oxide	AA
R1691	VRS-CY1JF472F	J	4.7k 1/16W Metal Oxide	AA
R1692	VRS-CY1JF333F	J	33k 1/16W Metal Oxide	AA
R1693	VRS-CY1JF223F	J	22k 1/16W Metal Oxide	AA
R1694	VRS-CY1JF101J	J	100 1/16W Metal Oxide	AA
R1695	VRS-CY1JF183F	J	18k 1/16W Metal Oxide	AA
R1696	VRS-CY1JF101J	J	100 1/16W Metal Oxide	AA
R1697	VRS-CY1JF223F	J	22k 1/16W Metal Oxide	AA
R1698	VRS-CY1JF472F	J	4.7k 1/16W Metal Oxide	AA
R1699	VRS-CY1JF333F	J	33k 1/16W Metal Oxide	AA
R1901	VRS-CY1JF101J	J	100 1/16W Metal Oxide	AA
R1902	VRS-CY1JF101J	J	100 1/16W Metal Oxide	AA
R1903	VRS-CY1JF101J	J	100 1/16W Metal Oxide	AA
R1905	VRS-CY1JF101J	J	100 1/16W Metal Oxide	AA
R1906	VRS-CY1JF101J	J	100 1/16W Metal Oxide	AA
R1907	VRS-CY1JF102J	J	1.0k 1/16W Metal Oxide	AA
R1908	VRS-CY1JF102J	J	1.0k 1/16W Metal Oxide	AA
R1913	VRS-CY1JF105J	J	1M 1/16W Metal Oxide	AA
R1914	VRS-CY1JF123F	J	12k 1/16W Metal Oxide	AA
R1915	VRS-CY1JF123F	J	12k 1/16W Metal Oxide	AA
R1916	VRS-CY1JF123F	J	12k 1/16W Metal Oxide	AA
R1917	VRS-CY1JF123F	J	12k 1/16W Metal Oxide	AA
R1918	VRS-CY1JF102J	J	1.0k 1/16W Metal Oxide	AA
R1919	VRS-CY1JF392J	J	3.9k 1/16W Metal Oxide	AA
R1920	VRS-CY1JF223J	J	22k 1/16W Metal Oxide	AA
R1921	VRS-CY1JF223J	J	22k 1/16W Metal Oxide	AA
R1923	VRS-CY1JF104J	J	100k 1/16W Metal Oxide	AA
R1925	VRS-CY1JF104J	J	100k 1/16W Metal Oxide	AA
R1930	VRS-CY1JF153J	J	15k 1/16W Metal Oxide	AA
R1931	VRS-CY1JF223J	J	22k 1/16W Metal Oxide	AA
R1932	VRS-CY1JF473J	J	47k 1/16W Metal Oxide	AA
R1933	VRS-CY1JF473J	J	47k 1/16W Metal Oxide	AA
R1934	VRS-CY1JF122J	J	1.2k 1/16W Metal Oxide	AA
R1935	VRS-CY1JF122J	J	1.2k 1/16W Metal Oxide	AA
R1936	VRS-CY1JF562J	J	5.6k 1/16W Metal Oxide	AA
R1937	VRS-CY1JF562J	J	5.6k 1/16W Metal Oxide	AA
R1938	VRS-CY1JF472J	J	4.7k 1/16W Metal Oxide	AA
R1939	VRS-CY1JF472J	J	4.7k 1/16W Metal Oxide	AA
R1941	VRS-CY1JF102J	J	1.0k 1/16W Metal Oxide	AA
R1942	VRS-CY1JF102J	J	1.0k 1/16W Metal Oxide	AA
R1943	VRS-CA1JF102J	J	1.0k 1/16W Metal Oxide	AA

Ref. No.	Part No.	★	Description	Code
R1944	VRS-CY1JF471J	J	470 1/16W Metal Oxide	AA
R1945	VRS-CY1JF471J	J	470 1/16W Metal Oxide	AA
R1946	VRS-CY1JF102J	J	1.0k 1/16W Metal Oxide	AA
R1947	VRS-CY1JF392J	J	3.9k 1/16W Metal Oxide	AA
R1948	VRS-CY1JF473J	J	47k 1/16W Metal Oxide	AA
R1950	VRS-CY1JF473J	J	47k 1/16W Metal Oxide	AA
R2200	VRS-TX2HF1R0J	J	1.0 1/2W Metal Oxide	AA
R2201	VRS-CY1JF102J	J	1.0k 1/16W Metal Oxide	AA
R2202	VRS-CY1JF222J	J	2.2k 1/16W Metal Oxide	AA
R2203	VRS-CY1JF222J	J	2.2k 1/16W Metal Oxide	AA
R2204	VRS-CY1JF102J	J	1.0k 1/16W Metal Oxide	AA
R2205	VRS-CY1JF221J	J	220 1/16W Metal Oxide	AA
R2206	VRS-CY1JF152J	J	1.5k 1/16W Metal Oxide	AA
R2207	VRS-CY1JF681J	J	680 1/16W Metal Oxide	AA
R2208	VRS-CY1JF102J	J	1.0k 1/16W Metal Oxide	AA
R2209	VRS-CY1JF181J	J	180 1/16W Metal Oxide	AA
R2210	VRS-CY1JF561J	J	560 1/16W Metal Oxide	AA
R2211	VRS-CY1JF103J	J	10k 1/16W Metal Oxide	AA
R2212	VRS-CY1JF332J	J	3.3k 1/16W Metal Oxide	AA
R2213	VRS-CY1JF221J	J	220 1/16W Metal Oxide	AA
R2214	VRS-CY1JF152J	J	1.5k 1/16W Metal Oxide	AA
R2215	VRS-CY1JF222J	J	2.2k 1/16W Metal Oxide	AA
R2216	VRS-CY1JF102J	J	1.0k 1/16W Metal Oxide	AA
R2217	VRS-CY1JF222J	J	2.2k 1/16W Metal Oxide	AA
R2218	VRS-CY1JF221J	J	220 1/16W Metal Oxide	AA
R2219	VRS-CY1JF102J	J	1.0k 1/16W Metal Oxide	AA
R2221	VRS-CY1JF101J	J	100 1/16W Metal Oxide	AA
R2222	VRS-CY1JF101J	J	100 1/16W Metal Oxide	AA
R2223	VRS-CY1JF102J	J	1.0k 1/16W Metal Oxide	AA
R2224	VRS-CY1JF102J	J	1.0k 1/16W Metal Oxide	AA
R2225	VRS-CY1JF101J	J	100 1/16W Metal Oxide	AA
R2226	VRS-CY1JF101J	J	100 1/16W Metal Oxide	AA
R2227	VRS-CY1JF471J	J	470 1/16W Metal Oxide	AA
R2228	VRS-CY1JF472J	J	4.7k 1/16W Metal Oxide	AA
R2229	VRS-CY1JF472J	J	4.7k 1/16W Metal Oxide	AA
R2230	VRS-TX2HF471J	J	470 1/2W Metal Oxide	AB
R2231	VRS-TW2ED000J	J	0 1/4W Metal Oxide	AB
R3100	VRS-CY1JF102J	J	1.0k 1/16W Metal Oxide	AA
R3356	VRS-CY1JF153J	J	15k 1/16W Metal Oxide	AA
R3357	VRS-TX2HF000J	J	0 1/2W Metal Oxide	AA
R3358	VRS-CY1JF562J	J	5.6k 1/16W Metal Oxide	AA
R3360	VRS-CY1JF102J	J	1.0k 1/16W Metal Oxide	AA
R3361	VRS-CY1JF102J	J	1.0k 1/16W Metal Oxide	AA
R3362	VRS-CY1JF182J	J	1.8k 1/16W Metal Oxide	AA
R3363	VRS-CY1JF182J	J	1.8k 1/16W Metal Oxide	AA
R3364	VRS-CY1JF122J	J	1.2k 1/16W Metal Oxide	AA
R3365	VRS-CY1JF472J	J	4.7k 1/16W Metal Oxide	AA
R3366	VRS-CY1JF472J	J	4.7k 1/16W Metal Oxide	AA
R3368	VRS-CR3AD1R0J	J	1.0 1W Metal Oxide	AC
R3370	VRS-CY1JF223J	J	22k 1/16W Metal Oxide	AA
R3371	VRS-CY1JF682J	J	6.8k 1/16W Metal Oxide	AA
R3372	VRS-CY1JF103J	J	10k 1/16W Metal Oxide	AA
R3373	VRS-CY1JF101J	J	100 1/16W Metal Oxide	AA
R3374	VRS-TX2HF000J	J	0 1/2W Metal Oxide	AA
R3401	VRS-CY1JF102J	J	1.0k 1/16W Metal Oxide	AA
R3433	VRS-CY1JF750J	J	75 1/16W Metal Oxide	AA
R3455	VRS-CY1JF750J	J	75 1/16W Metal Oxide	AA
R3456	VRS-CY1JF101J	J	100 1/16W Metal Oxide	AA
R3457	VRS-CY1JF750J	J	75 1/16W Metal Oxide	AA
R3458	VRS-CY1JF104J	J	100k 1/16W Metal Oxide	AA
R3459	VRS-CY1JF750J	J	75 1/16W Metal Oxide	AA
R3460	VRS-CY1JF750J	J	75 1/16W Metal Oxide	AA
R3461	VRS-CY1JF750J	J	75 1/16W Metal Oxide	AA
R3491	VRS-CY1JF000J	J	0 1/16W Metal Oxide	AA
R3492	VRS-CY1JF000J	J	0 1/16W Metal Oxide	AA
R3494	VRS-CY1JF000J	J	0 1/16W Metal Oxide	AA
R3500	VRS-CY1JF102J	J	1.0k 1/16W Metal Oxide	AA
R3501	VRS-CY1JF102J	J	1.0k 1/16W Metal Oxide	AA
R3504	VRS-CY1JF122J	J	1.2k 1/16W Metal Oxide	AA
R3505	VRS-CY1JF682J	J	6.8k 1/16W Metal Oxide	AA
R3506	VRS-CY1JF122J	J	1.2k 1/16W Metal Oxide	AA
R3507	VRS-CY1JF682J	J	6.8k 1/16W Metal Oxide	AA
R3508	VRS-CY1JF471J	J	470 1/16W Metal Oxide	AA
R3509	VRS-CY1JF471J	J	470 1/16W Metal Oxide	AA
R3510	VRS-CY1JF473J	J	47k 1/16W Metal Oxide	AA

Ref. No.	Part No.	★	Description	Code	Ref. No.	Part No.	★	Description	Code
<b>DUNTKB152DE02 TUNER UNIT (Continued)</b>									
R3511	VRS-CY1JF473J	J	47k 1/16W Metal Oxide	AA	P3301	QPLGN0174FJZZ	J	Plug, 2-pin(SL)	AC
R3512	VRS-CY1JF223J	J	22k 1/16W Metal Oxide	AA	P3302	QPLGN0174FJZZ	J	Plug, 2-pin(SR)	AC
R3513	VRS-CY1JF153J	J	15k 1/16W Metal Oxide	AA	P3601	QPLGN0478GEZZ	J	Plug, 4-pin	AB
R3600	VRS-CB1JF222J	J	2.2k 1/16W Metal Oxide	AC	P3603	QPLGN0378GEZZ	J	Plug, 3-pin(VE)	AB
R3604	VRS-CB1JF824J	J	820k 1/16W Metal Oxide	AA	P3703	QLUGH001WJZZY	J	Lug	AD
R3607	VRS-CB1JF562J	J	5.6k 1/16W Metal Oxide	AC	SC1602	QSOCN0487FJZZ	J	Socket, 20-pin(MT)	AE
R3610	VRS-CY1JF563J	J	56k 1/16W Metal Oxide	AA	SC3100	QSOCN0464FJZZ	J	Socket, 50-pin(MA)	AH
R3650	VRS-CY1JF103J	J	10k 1/16W Metal Oxide	AA	SC3903	QSOCZA012WJZZ	J	Socket, 21-pin(SCART)	AG
R3962	VRS-CY1JF473J	J	47k 1/16W Metal Oxide	AA	SC5001	QSOC0456CEZZ	J	S-VIDEO (AV-IN2)	AE
R3963	VRS-CY1JF473J	J	47k 1/16W Metal Oxide	AA		LANGT9102CEFW	J	Fixing Metal	AF
R3964	VRS-CY1JF101J	J	100 1/16W Metal Oxide	AA					
R3965	VRS-CY1JF101J	J	100 1/16W Metal Oxide	AA					
R3966	VRS-CY1JF271J	J	270 1/16W Metal Oxide	AA					
R3967	VRS-CY1JF271J	J	270 1/16W Metal Oxide	AA					
R3968	VRS-CY1JF000J	J	0 1/16W Metal Oxide	AA					
R3969	VRS-CY1JF000J	J	0 1/16W Metal Oxide	AA					
R3970	VRS-CY1JF271J	J	270 1/16W Metal Oxide	AA					
R3971	VRS-CY1JF271J	J	270 1/16W Metal Oxide	AA					
R3972	VRS-CY1JF104J	J	100k 1/16W Metal Oxide	AA					
R3973	VRS-CY1JF104J	J	100k 1/16W Metal Oxide	AA					
R3986	VRS-CY1JF104J	J	100k 1/16W Metal Oxide	AA					
R3987	VRS-CY1JF562J	J	5.6k 1/16W Metal Oxide	AA					
R3989	VRS-CY1JF153J	J	15k 1/16W Metal Oxide	AA					
R3991	VRS-CY1JF103J	J	10k 1/16W Metal Oxide	AA					
R3992	VRS-CY1JF104J	J	100k 1/16W Metal Oxide	AA					
R3993	VRS-CY1JF104J	J	100k 1/16W Metal Oxide	AA					
R3994	VRS-CY1JF472J	J	4.7k 1/16W Metal Oxide	AA					
R3995	VRS-CY1JF823J	J	82k 1/16W Metal Oxide	AA					
R3996	VRS-CY1JF102J	J	1.0k 1/16W Metal Oxide	AA					
R3997	VRS-CY1JF104J	J	100k 1/16W Metal Oxide	AA					
R3998	VRS-CY1JF103J	J	10k 1/16W Metal Oxide	AA					
R5001	VRS-TX2HF220J	J	22 1/2W Metal Oxide	AB					
R5002	VRS-TX2HF220J	J	22 1/2W Metal Oxide	AB					
R5003	VRS-CY1JF000J	J	0 1/16W Metal Oxide	AA					
R5705	VRS-TQ2BD750J	J	75 1/8W Metal Oxide	AA					
R5706	VRS-TQ2BD750J	J	75 1/8W Metal Oxide	AA					
R5707	VRS-TQ2BD750J	J	75 1/8W Metal Oxide	AA					
R5708	VRS-CY1JF473J	J	47k 1/16W Metal Oxide	AA					
R5709	VRS-CY1JF473J	J	47k 1/16W Metal Oxide	AA					
R5710	VRS-CY1JF101J	J	100 1/16W Metal Oxide	AA					
R5711	VRS-CY1JF101J	J	100 1/16W Metal Oxide	AA					
R5712	VRS-CY1JF101J	J	100 1/16W Metal Oxide	AA					
R5713	VRS-CY1JF101J	J	100 1/16W Metal Oxide	AA					
R5714	VRS-CY1JF101J	J	100 1/16W Metal Oxide	AA					
<b>MISCELLANEOUS PARTS</b>									
△ F1	QFS-C1223CEZZ	J	Fuse, T1.25AL/250V	AD					
△ F2	QFS-C1223CEZZ	J	Fuse, T1.25AL/250V	AD					
FH1	QFSDH1002CEZZ	J	Fuse Holder	AA					
FH2	QFSDH1002CEZZ	J	Fuse Holder	AA					
FH3	QFSDH1002CEZZ	J	Fuse Holder	AA					
FH4	QFSDH1002CEZZ	J	Fuse Holder	AA					
FB1601	RBLN-0006TAZZ	J	Ferrite Bead	AB					
FB1602	RBLN-0006TAZZ	J	Ferrite Bead	AB					
FB1604	RBLN-0006TAZZ	J	Ferrite Bead	AB					
FB1605	RBLN-0006TAZZ	J	Ferrite Bead	AB					
FB1608	RBLN-0006TAZZ	J	Ferrite Bead	AB					
FB1609	RBLN-0006TAZZ	J	Ferrite Bead	AB					
FB1640	RBLN-0076TAZZ	J	Ferrite Bead	AC					
FB1641	RBLN-0076TAZZ	J	Ferrite Bead	AC					
FB1672	RBLN-0076TAZZ	J	Ferrite Bead	AC					
FB1673	RBLN-0076TAZZ	J	Ferrite Bead	AC					
FB1674	RBLN-0076TAZZ	J	Ferrite Bead	AC					
FB5001	RBLN-0062CEZZ	J	Ferrite Bead	AC					
FB5002	RBLN-0062CEZZ	J	Ferrite Bead	AC					
J3702	QJAKE0193CEZZ	J	POWER INPUT (DC12V)	AK					
J3902	QJAKE0200CE02	J	AUDIO OUT (R)	AE					
J3903	QJAKE0200CE09	J	AUDIO OUT (L)	AE					
J5001	QJAKF0060CEZZ	J	AUDIO L/R (AV-IN2)	AE					
J5002	QJAKE0200CE04	J	VIDEO (AV-IN2)	AE					
J5003	QJAKJ0047CEZZ	J	Headphone	AD					
P1903	QPLGN1178GEZZ	J	Plug, 11-pin(MB)	AC					
<b>DUNTKB153DE02 INVERTER UNIT</b>									
<b>TRANSISTORS</b>									
Q6500	VSFZT1053A/-1	J	FZT1053A	AG					
Q6501	VSFZT1053A/-1	J	FZT1053A	AG					
Q6502	VS2SA1530AR-1	J	2SA1530AR	AB					
Q6503	VSFZT1053A/-1	J	FZT1053A	AG					
Q6504	VSFZT1053A/-1	J	FZT1053A	AG					
Q6505	VS2SA1530AR-1	J	2SA1530AR	AB					
<b>DIODE</b>									
D6500	VHDI MN10///-1	J	Diode	AB					
<b>COILS</b>									
L6500	RCiLC0107CEZZ	J	Coil	AF					
L6501	RCiLC0107CEZZ	J	Coil	AF					
L6502	RCiLC0107CEZZ	J	Coil	AF					
L6503	RCiLC0107CEZZ	J	Coil	AF					
<b>TRANSFORMERS</b>									
△ T6500	RTRNZ0805CEZZQ	J	Transformer	AM					
△ T6501	RTRNZ0805CEZZQ	J	Transformer	AM					
△ T6502	RTRNZ0805CEZZQ	J	Transformer	AM					
△ T6503	RTRNZ0805CEZZQ	J	Transformer	AM					
<b>CAPACITORS</b>									
C6502	VCKYCY1CB473K	J	0.047 16V Ceramic	AA					
C6503	VCKYCY1CB473K	J	0.047 16V Ceramic	AA					
C6504	VCEA4A1CN108M	J	1000 16V Electrolytic	AD					
C6507	VCKYCY1CB473K	J	0.047 16V Ceramic	AA					
C6508	VCKYCY1CB473K	J	0.047 16V Ceramic	AA					
C6509	VCEA4A1CN108M	J	1000 16V Electrolytic	AD					
C6510	RC-FZA034WJZZ	J	0.15 250V Film	AE					
C6511	RC-FZA034WJZZ	J	0.15 250V Film	AE					
<b>RESISTORS</b>									
R6500	VRS-TW2ED332J	J	3.3k 1/4W Metal Oxide	AB					
R6501	VRS-TW2ED332J	J	3.3k 1/4W Metal Oxide	AB					
R6502	VRS-CY1JF103J	J	10k 1/16W Metal Oxide	AA					
R6503	VRS-CY1JF333J	J	33k 1/16W Metal Oxide	AA					
R6504	VRS-TW2ED332J	J	3.3k 1/4W Metal Oxide	AB					
R6505	VRS-TW2ED332J	J	3.3k 1/4W Metal Oxide	AB					
R6506	VRS-CY1JF103J	J	10k 1/16W Metal Oxide	AA					
R6507	VRS-CY1JF333J	J	33k 1/16W Metal Oxide	AA					
<b>MISCELLANEOUS PARTS</b>									
△ F6500	QFS-C1223CEZZ	J	Fuse, T1.25AL/250V	AD					
△ F6501	QFS-C1223CEZZ	J	Fuse, T1.25AL/250V	AD					
FH6500	QFSDH1002CEZZ	J	Fuse Holder	AA					
FH6501	QFSDH1002CEZZ	J	Fuse Holder	AA					
FH6502	QFSDH1002CEZZ	J	Fuse Holder	AA					
FH6503	QFSDH1002CEZZ	J	Fuse Holder	AA					
P6500	QPLGN0155FJZZ	J	Plug, 3-pin	AE					
P6501	QPLGN0155FJZZ	J	Plug, 3-pin	AE					
P6502	QPLGN0378GEZZ	J	Plug, 3-pin(VE)	AB					

Ref. No.	Part No.	★	Description	Code
----------	----------	---	-------------	------

### DUNTKB155DE02 RC/LED UNIT

#### TRANSISTORS

Q4001	VSDTC144EE/-1	J	DTC144EE	AA
Q4003	VSDTC144EE/-1	J	DTC144EE	AA
Q4007	VSUMG4N++++-1Y	J	UMG4N++++	AB

#### DIODES

D4011	RH-PX0419CEZZ	J	Photodiode	AC
D4012	RH-EX1271CEZZ	J	Zener Diode	AB
D4014	RH-PX0421CEZZ	J	Photodiode	AD
D4015	RH-EX1271CEZZ	J	Zener Diode	AB
D4022	RH-EX1271CEZZ	J	Zener Diode	AB

#### CAPACITOR

C4018	RC-KZ1025CEZZ	J	1.0 10V Ceramic	AB
-------	---------------	---	-----------------	----

#### RESISTORS

R4001	VRS-CY1JF562J	J	5.6k 1/16W Metal Oxide	AA
R4021	VRS-CY1JF101J	J	100 1/16W Metal Oxide	AA
R4023	VRS-CY1JF472J	J	4.7k 1/16W Metal Oxide	AA
R4024	VRS-CY1JF471J	J	470 1/16W Metal Oxide	AA
R4029	VRS-CY1JF472J	J	4.7k 1/16W Metal Oxide	AA

#### MISCELLANEOUS PARTS

P4004	QPLGN0564TAZZ	J	Plug, 5-pin(MR)	AC
RMC4002	RRMCU0239CEZZ	J	R/C Receiver	AG

### DUNTKB156DE02 OPERATION UNIT

#### DIODES

D4008	RH-EX1283CEZZ	J	Zener Diode	AB
D4009	RH-EX1271CEZZ	J	Zener Diode	AB
D4010	RH-EX1271CEZZ	J	Zener Diode	AB

#### RESISTORS

R4005	VRS-CY1JF123J	J	12k 1/16W Metal Oxide	AA
R4006	VRS-CY1JF822J	J	8.2k 1/16W Metal Oxide	AA
R4011	VRS-CY1JF123J	J	12k 1/16W Metal Oxide	AA
R4012	VRS-CY1JF822J	J	8.2k 1/16W Metal Oxide	AA

#### SWITCHES

S4701	QSW-P0035GEZZ	J	MAIN POWER	AF
SW4002	QSW-K0108CEZZ	J	CH-Down	AD
SW4003	QSW-K0108CEZZ	J	VH-Up	AD
SW4004	QSW-K0108CEZZ	J	MENU	AD
SW4006	QSW-K0108CEZZ	J	TV/VIDEO	AD
SW4007	QSW-K0108CEZZ	J	Volume-Up	AD
SW4008	QSW-K0108CEZZ	J	Volume-Down	AD

#### MISCELLANEOUS PARTS

P4001	QPLGN0564TAZZ	J	Plug, 5-pin(MS)	AC
-------	---------------	---	-----------------	----

Ref. No.	Part No.	★	Description	Code
----------	----------	---	-------------	------

### CABINET PARTS LOCATION

1	CCABA2473CE01	J	Front Cabinet Ass'y	BD
1-1	<i>Not Available</i>	-	Front Cabinet	—
1-2	GCOVA2020CEZZ	J	RC/LED Cover	AF
1-3	PSPAG0406CEZZ	J	Spacer, x4	AC
1-4	PSPAG0407CEZZ	J	Spacer, x4	AB
1-5	PSPAH0678CEZZ	J	Spacer, x2	AA
1-6	PSPAH0694CEZZ	J	Spacer, x2	AC
1-7	PSPAH0695CEZZ	J	Spacer, x2	AC
1-8	QEARZ0047CEZZ	J	Grounding Part	AC
1-9	RSP-Z0131CEZZ	J	Speaker(L)	AR
1-10	RSP-Z0132CEZZ	J	Speaker(R)	AR
1-11	XETSD40P12000	J	Screw, x8	AB

2	CCABB2358CE01	J	Rear Cabinet Ass'y	BB
2-1	<i>Not Available</i>	-	Rear Cabinet	—
2-2	HINDP5980CESA	J	Model Label	AG
2-3	LANGT9061CEFW	J	Fixing Metal	BD
2-4	PMLT-0401CEZZ	J	Spacer, x1	AB
2-5	PMLT-0409CEZZ	J	Spacer, x4	AC
2-6	XEBSD30P08000	J	Screw, x1	AA

3	CDAi-1120CE08	J	Stand	BN
3-1	GCOVA1945CESA	J	Handle Cover	AK
3-2	GDai-1120CESA	J	Stand, Base	AX
3-3	GDai-1121CESA	J	Stand, Joint	AP
3-4	GLEGG9093CEZZ	J	Leg, x6	AC
3-5	JHNDP0105CESA	J	Stand Handle	AW
3-6	LANGG0114CEFW	J	Fixing Metal	AE
3-7	LANGG1196CEFW	J	Fixing Metal	AF
3-8	LANGG1198CEFW	J	Fixing Metal	AE
3-9	LANGG1199CEFW	J	Fixing Metal	AD
3-10	LX-NZ3185CEFE	J	Nut, x1	AC
3-11	MHNG-3039CEFW	J	Hinge(L)	AP
3-12	MHNG-3046CEFW	J	Hinge(R)	AV
3-13	MHNG-3051CEFW	J	Hinge(Side)	AV
3-14	PSPAT0079CEZZ	J	Spacer, x2	AC
3-15	PSPAZ0415CEZZ	J	Spacer, x2	AB
3-16	XESSD40P14000	J	Screw, x12	AB
3-17	XESSN40P10000	J	Screw, x8	AB

4	CCOVA2119CE01	J	Button Cover Ass'y	AL
4-1	<i>Not Available</i>	-	Button Cover	—
4-2	GCOVA1943CEKA	J	Button Cover(VOL)	AD
4-3	GCOVA1943CEKB	J	Button Cover(CH)	AD
4-4	JBTN-2076CEKA	J	Operation Button	AE
4-5	XEBSD30P08000	J	Screw, x2	AA

5	<i>Not Available</i>	-	15' LCD Panel Ass'y	—
5-1	RLCDA003WJZZ	J	15' LCD Panel Unit	CY
5-2	KLMP-0122CEZZ	J	Back Light Lamp	BD
5-3	PGIDM0070CEZZ	J	Light Guide Plate	BA
5-4	PMIR-0294CEZZ	J	Reflection Mirror	AG
5-5	PMIR-0295CEZZ	J	Reflection Mirror	AF
5-6	PSHEP0281CEZZ	J	Deflection/Reflection Sheet	BE
5-7	PSHEP0282CEZZ	J	Prism Sheet	AY
5-8	PSHEP0283CEZZ	J	Diffusion Sheet	AL
5-9	PSHEP0284CEZZ	J	Reflection Sheet-1	AG
5-10	PSHEP0285CEZZ	J	Reflection Sheet-2	AG
5-11	PSLDM4689CEFW	J	Shielding Plate	AR
5-12	QCNW-6064CEZZ	J	Source FFC	AD
5-13	QCNW-6065CEZZ	J	Connecting Cord	AC
5-14	QCNW-A069WJZZ	J	Gate FFC	AF
5-15	XBBS30P05000	J	Screw, x4	AA
5-16	PSHEP0307CEZZ	J	Reflection Cover, x2	AC

6	GCOVA2048CEKA	J	Terminal Cover(L)	AK
7	GCOVA2049CEKA	J	Terminal Cover(S)	AH
8	JBTN-2066CEKA	J	Power Button	AD
9	LX-BZ3442CEFF	J	Screw, x4	AB
10	PSPAG2003CEZZ	J	Spacer	AA
11	GCOVA2116CEKA	J	Chassis Frame	AP
12	GCOVA2118CEKA	J	Chassis Frame Cover	AG

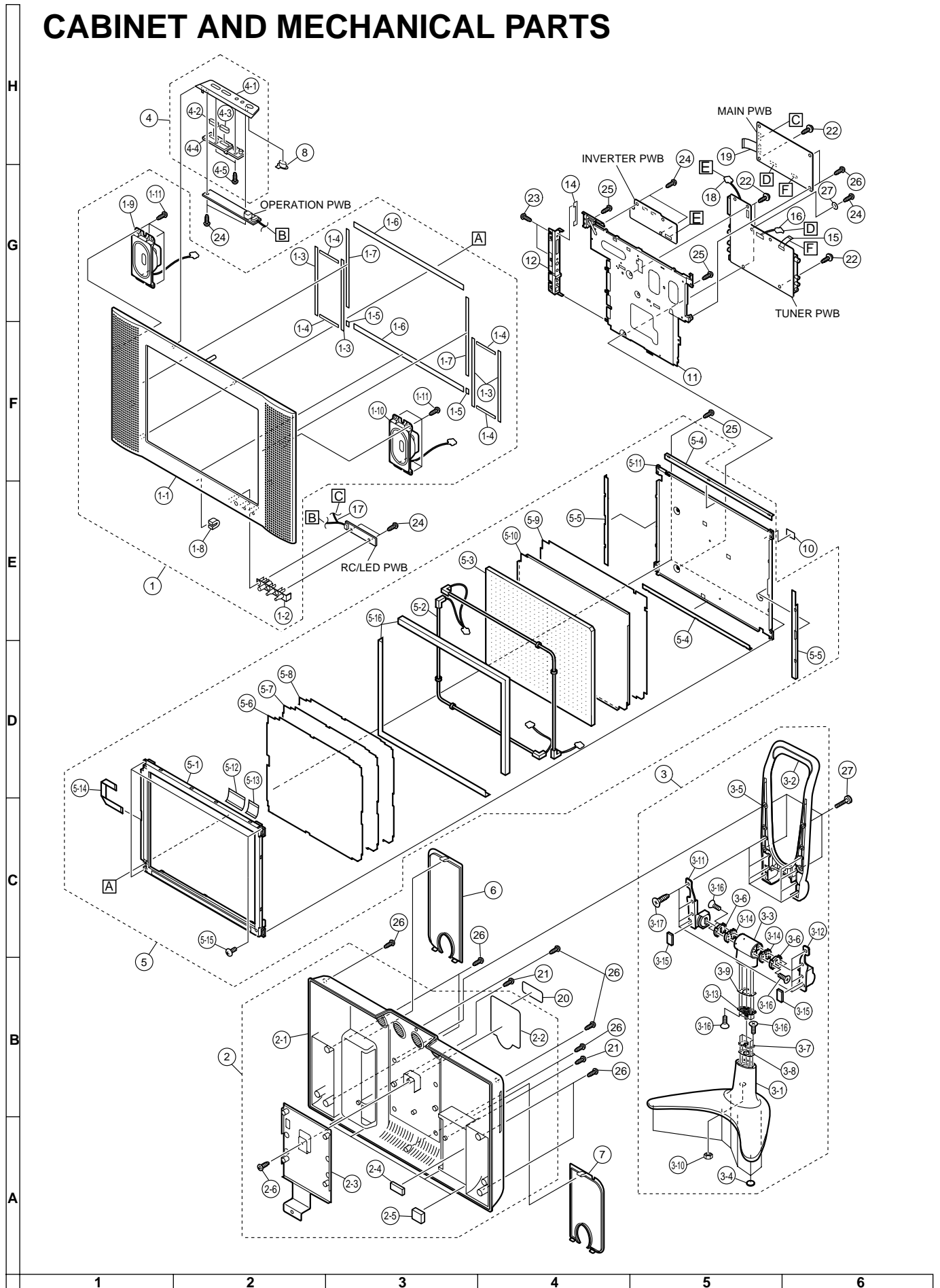
Ref. No.	Part No.	★	Description	Code
<b>CABINET PARTS LOCATION (Continued)</b>				
14	LANGK0782CEFW	J	21-pin Terminal Angle	AF
15	QCNW-A300WJZZ	J	Connecting Cord(MT)	AC
16	QCNW-A302WJZZ	J	Connecting Cord(MB)	AG
17	QCNW-A305WJZZ	J	Connecting Cord(MS/VE)	AH
18	QCNW-A385WJZZ	J	Connecting Cord(VE)	AE
19	QCNW-A386WJZZ	J	Connecting Cord(MA)	AD
20	TLABN0447CEZZ	J	Serial No. Label (LC-15B2EA) (-Mar. 2002)	AE
20	TLABN0448CEZZ	J	Serial No. Label (LC-15B2EA(K)) (-Mar. 2002)	AE
20	TLABNA076WJZZ	J	Serial No. Label (LC-15B2EA) (Apr. 2002-)	AE
20	TLABNA078WJZZ	J	Serial No. Label (LC-15B2EA(K)) (Apr. 2002-)	AE
21	XBBSF30P05000	J	Screw, x2	AB
22	XBPSN30P09JS0	J	Screw, x3	AB
23	XBBSF30P08000	J	Screw, x2	AA
24	XEBSD30P08000	J	Screw, x4	AA
25	XEBSD30P12000	J	Screw, x4	AA
26	XEBSD30P06000	J	Screw, x2	AA
27	XWHJZ32-05080	J	Washer	AB

Ref. No.	Part No.	★	Description	Code
<b>ACCESSORIES</b>				
△	LHLDW0109CESA	J	Cable Clamp, x2	AD
△	QACCK0006TAZZ	J	AC Cord (LC-15B2EA)	AL
	QACCB0016TAZZ	J	AC Cord (LC-15B2EA(K))	AV
	RRMCGA031WJSA	J	Infrared RC Unit	AU
	TiNS-7629CEZZ	J	Operation Manual	BA
	TGAN-1688CEN1	J	Guarantee Card (LC-15B2EA(K))	AN
△	UADP-0240CEPZ	J	AC Adaptor	BK

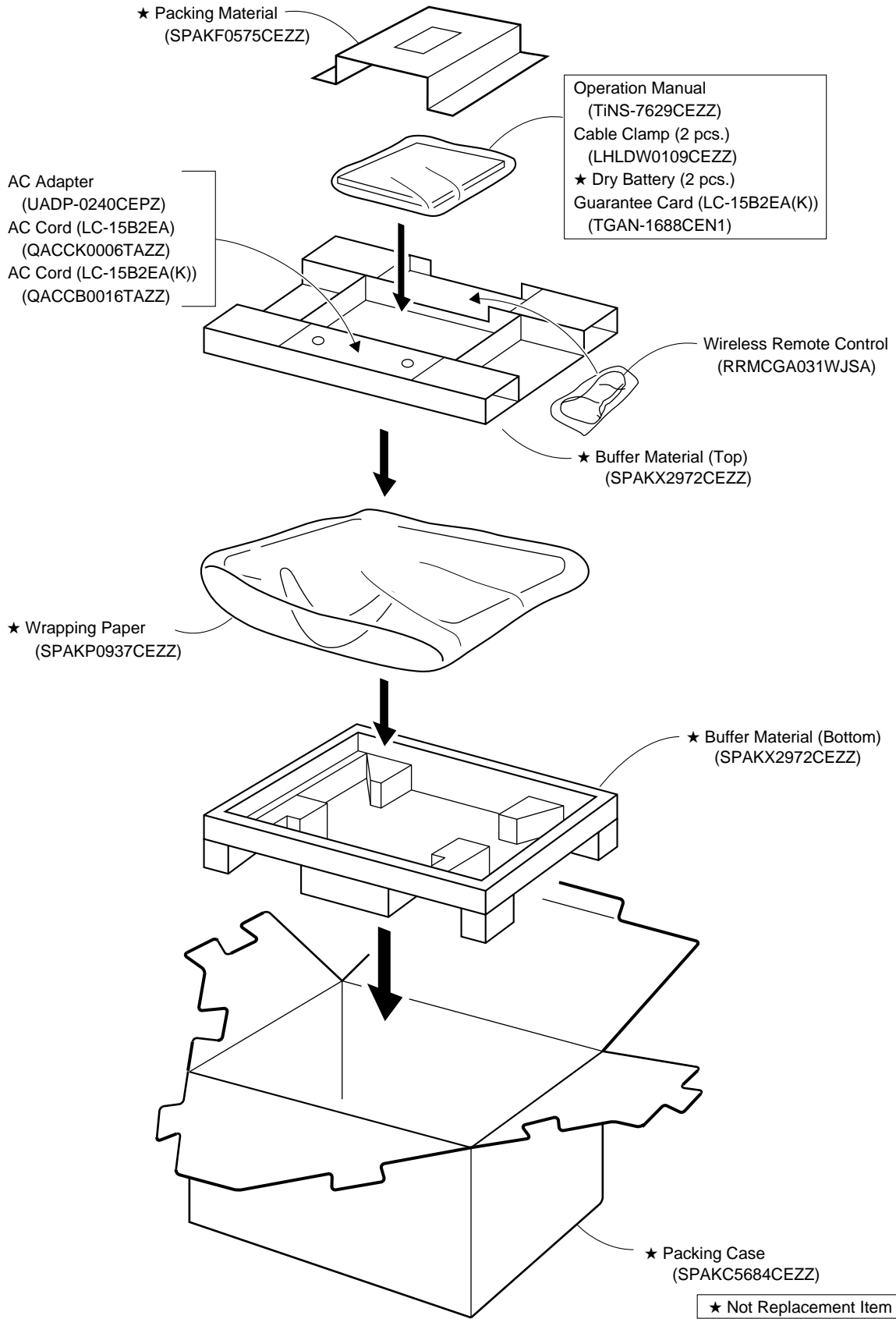
<b>PACKING PARTS (NOT REPLACEMENT ITEM)</b>				
	SPAKC5684CEZZ	-	Packing Case	—
	SPAKF0575CEZZ	-	Packing Material, for Accessories	—
	SPAKP0937CEZZ	-	Wrapping Paper	—
	SPAKX2972CEZZ	-	Packing Material	—
	SSAKA0160CEZZ	-	Polyethylene Bag	—
	TLABK0001TAZZ	-	Carton Label	—



# CABINET AND MECHANICAL PARTS



# PACKING OF THE SET



# SHARP

**COPYRIGHT © 2002 BY SHARP CORPORATION**

ALL RIGHTS RESERVED.

No part of this publication may be reproduced, stored in a retrieval system, or transmitted in any form or by any means, electronic, mechanical, photocopying, recording, or otherwise, without prior written permission of the publisher.